

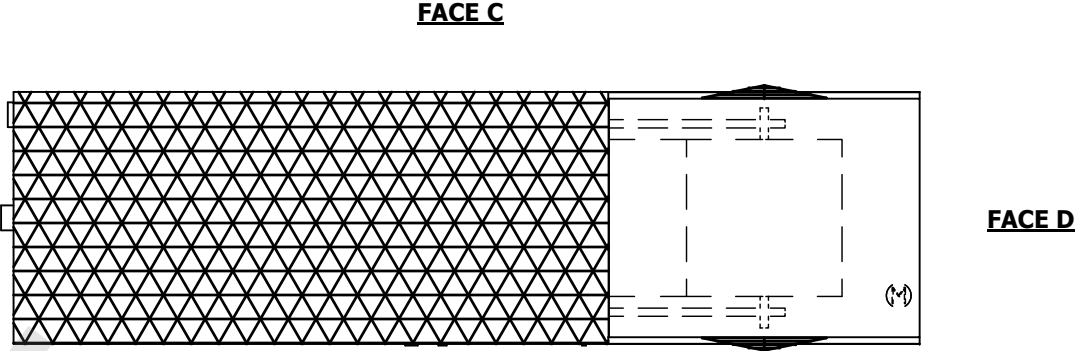
UNIT	COOLING TOWER
MODEL #	LPT-5512L
SCALE	NTS



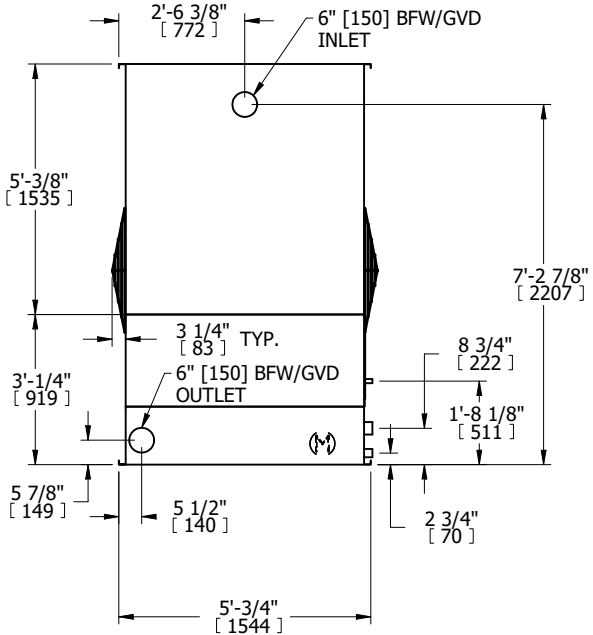
DWG. #	TV05123P-DRE-ST	REV.	-
SERIAL #		DATE	5/14/2026

- NOTES:
1. M - FAN MOTOR LOCATION
 2. MPT DENOTES MALE PIPE THREAD
(FPT) DENOTES FEMALE PIPE THREAD
BFW DENOTES BEVELED FOR WELDING
GVD DENOTES GROOVED
FLG DENOTES FLANGE
 3. + UNIT WEIGHT DOES NOT INCLUDE ACCESSORIES (SEE SEPARATE DRAWINGS FOR ACCESSORIES)
 4. 3/4" DIA. MOUNTING HOLES. REFER TO RECOMMENDED STEEL SUPPORT DRAWING
 5. MAKE-UP WATER PRESSURE-20 psi MIN, 50 psi MAX
 6. DIMENSIONS LISTED AS FOLLOWS:
ENGLISH FT-IN
[METRIC] MM

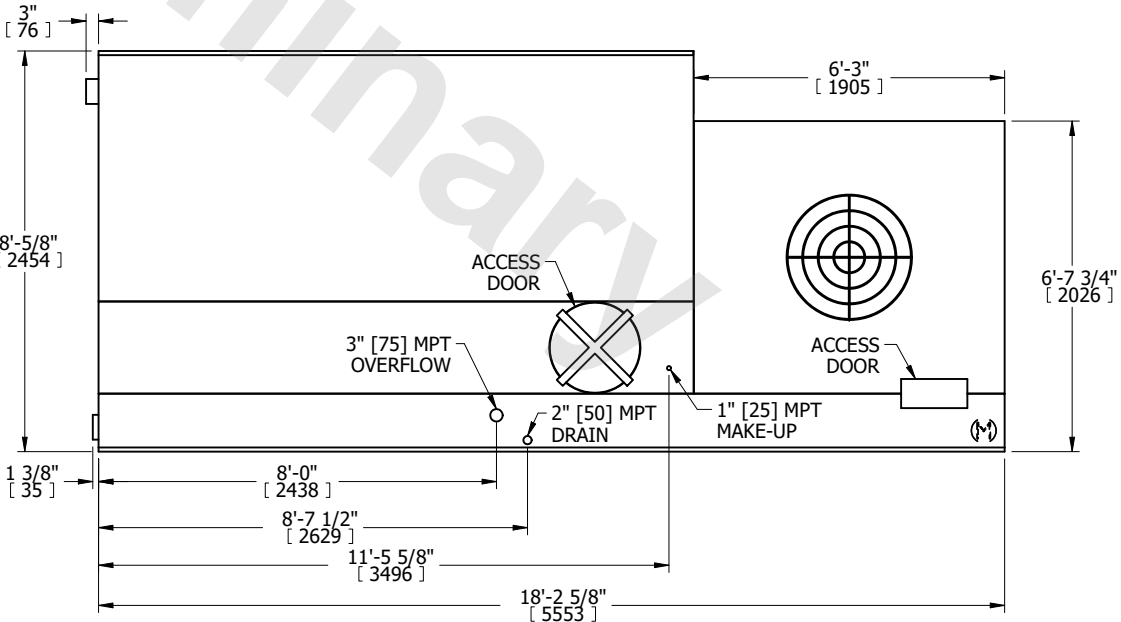
FACE B
PLAN VIEW



FACE A



FACE B



FACE A

SHIPPING WEIGHT	3700 lbs+ [1680] kg+	OPERATING WEIGHT	7250 lbs+ [3290] kg+	HEAVIEST SECTION WEIGHT	3700 lbs+ [1680] kg+	NO. OF SHIPPING SECTIONS	1	DRAWN BY:	JLG
-----------------	----------------------	------------------	----------------------	-------------------------	----------------------	--------------------------	---	-----------	-----