

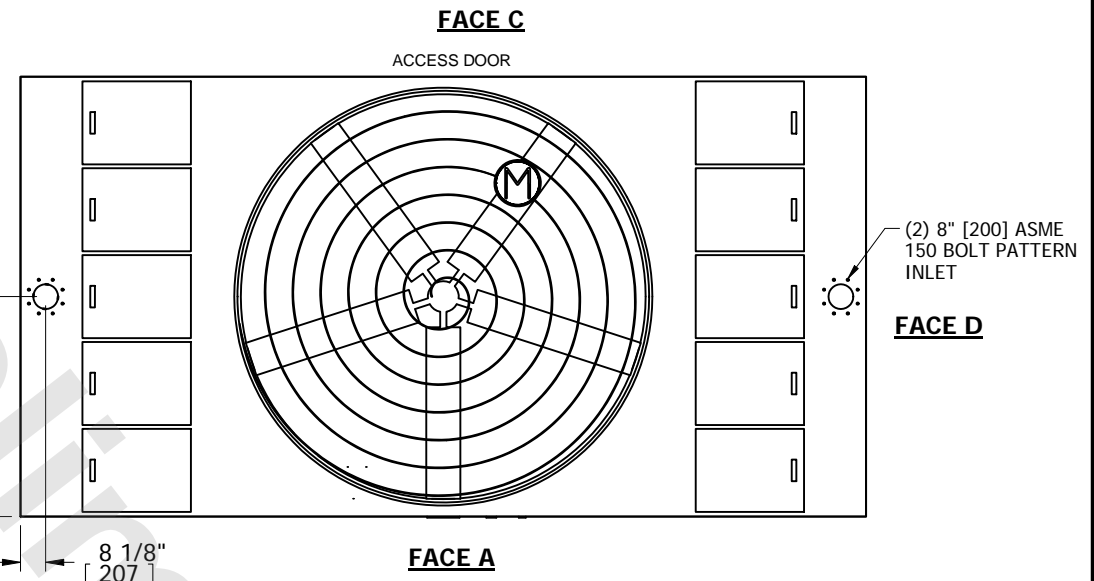
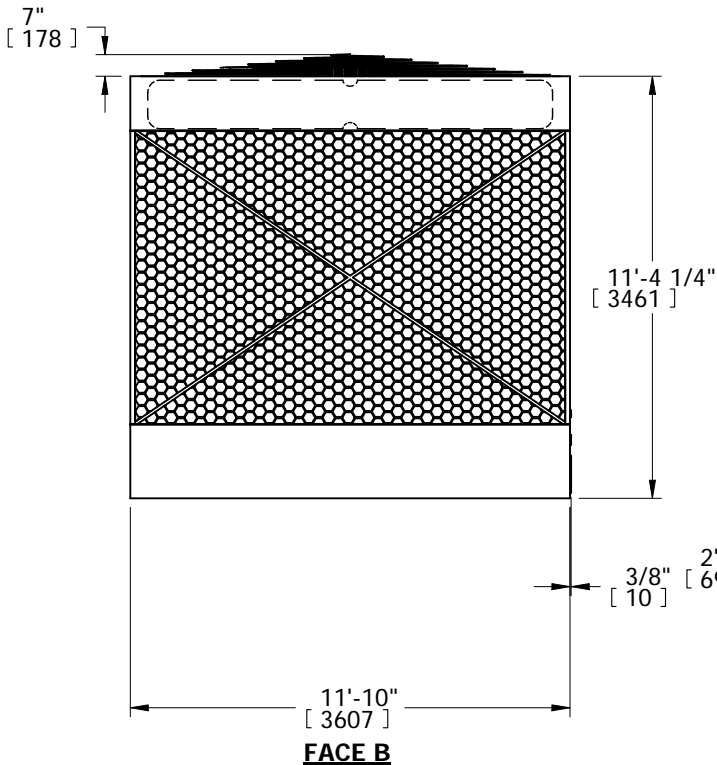
|         |                      |       |
|---------|----------------------|-------|
| UNIT    | <b>COOLING TOWER</b> |       |
| MODEL # | AXS 12-11K22         | SCALE |



|          |                 |      |           |
|----------|-----------------|------|-----------|
| DWG. #   | AX122209-DRC-ST | REV. | -         |
| SERIAL # |                 | DATE | 4/28/2026 |

- NOTES:
- (M)- FAN MOTOR LOCATION
  - MPT DENOTES MALE PIPE THREAD  
FPT DENOTES FEMALE PIPE THREAD  
BFW DENOTES BEVELED FOR WELDING  
GVD DENOTES GROOVED
  - +UNIT WEIGHT DOES NOT INCLUDE ACCESSORIES (SEE ACCESSORY DRAWINGS)
  - MAKE-UP WATER PRESSURE  
20 psi MIN [137 kPa], 50 psi MAX [344 kPa]
  - 3/4" DIA. MOUNTING HOLES. REFER TO RECOMMENDED STEEL SUPPORT DRAWING.
  - DIMENSIONS LISTED AS FOLLOWS: ENGLISH IN [METRIC] [mm]

**FACE B  
PLAN VIEW**



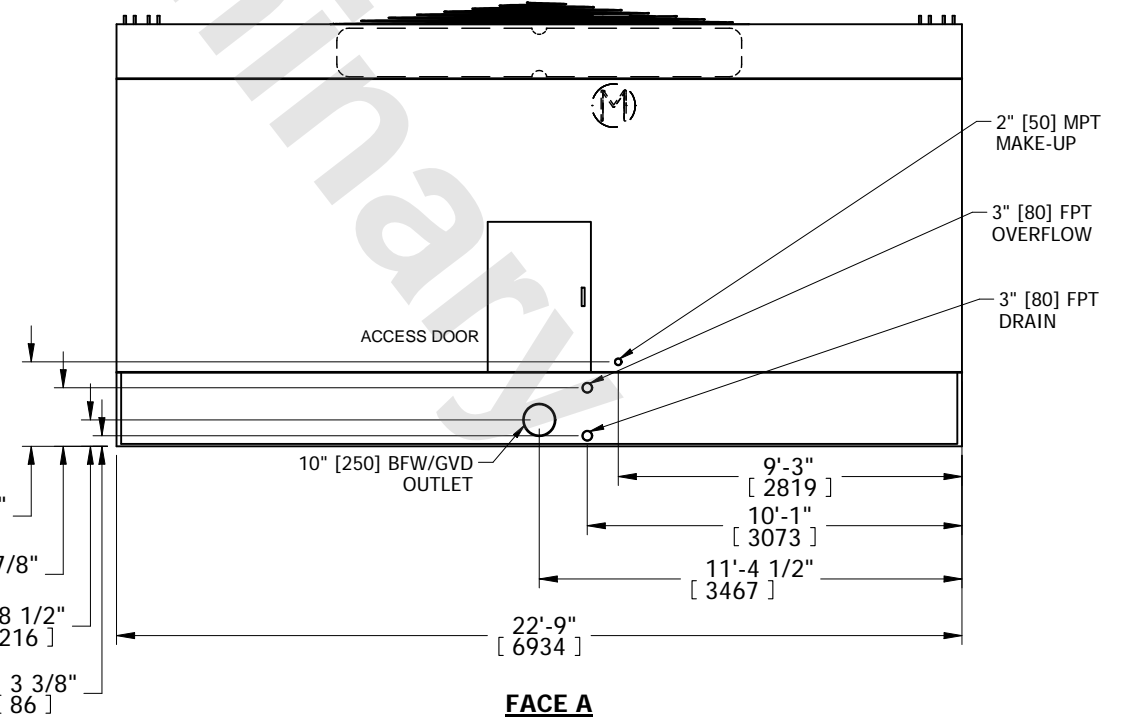
5'-11" [1804]  
8 1/8" [207]

**FACE C**  
ACCESS DOOR

**FACE A**

(2) 8" [200] ASME  
150 BOLT PATTERN  
INLET

**FACE D**



10" [250] BFW/GVD  
OUTLET

2" [50] MPT  
MAKE-UP  
3" [80] FPT  
OVERFLOW  
3" [80] FPT  
DRAIN

ACCESS DOOR

**FACE A**

|                 |                       |                  |                        |                         |                       |                          |   |           |     |
|-----------------|-----------------------|------------------|------------------------|-------------------------|-----------------------|--------------------------|---|-----------|-----|
| SHIPPING WEIGHT | 12030 lbs+ [5460] kg+ | OPERATING WEIGHT | 26220 lbs+ [11895] kg+ | HEAVIEST SECTION WEIGHT | 12030 lbs+ [5460] kg+ | NO. OF SHIPPING SECTIONS | 1 | DRAWN BY: | JLM |
|-----------------|-----------------------|------------------|------------------------|-------------------------|-----------------------|--------------------------|---|-----------|-----|