

UNIT	<b>COOLING TOWER</b>	
MODEL #	AXS 12-19J22	SCALE

# EVAPCO, INC.

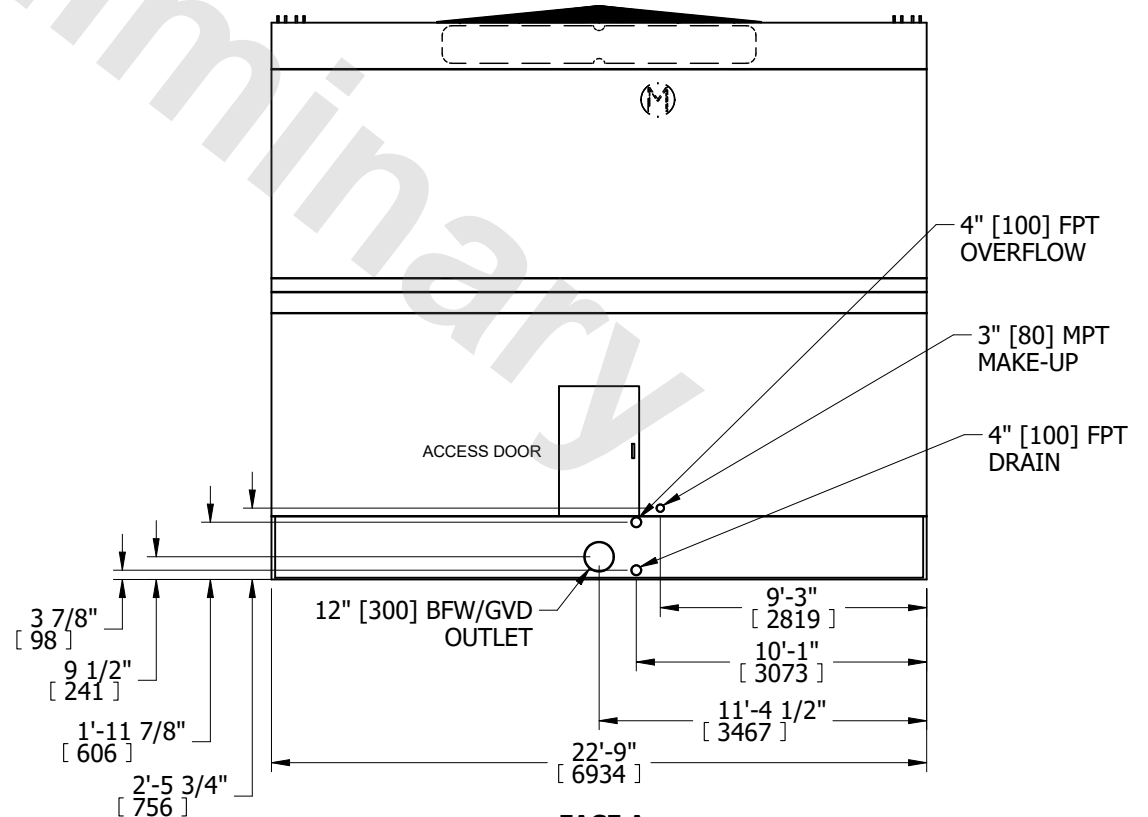
DWG. #	AX122217-DRA-ST	REV.	-
SERIAL #		DATE	4/29/2026

- NOTES:
- (M)- FAN MOTOR LOCATION
  - HEAVIEST SECTION IS UPPER SECTION
  - MPT DENOTES MALE PIPE THREAD  
FPT DENOTES FEMALE PIPE THREAD  
BFW DENOTES BEVELED FOR WELDING  
GVD DENOTES GROOVED
  - +UNIT WEIGHT DOES NOT INCLUDE ACCESSORIES (SEE ACCESSORY DRAWINGS)
  - MAKE-UP WATER PRESSURE  
20 psi MIN [137 kPa], 50 psi MAX [344 kPa]
  - 3/4" DIA. MOUNTING HOLES. REFER TO RECOMMENDED STEEL SUPPORT DRAWING.
  - DIMENSIONS LISTED AS FOLLOWS: ENGLISH IN [METRIC] [mm]

**FACE B  
PLAN VIEW**



**FACE A**



SHIPPING WEIGHT	16510 lbs+ [7490] kg+
-----------------	-----------------------

OPERATING WEIGHT	37450 lbs+ [16990] kg+
------------------	------------------------

HEAVIEST SECTION WEIGHT	9330 lbs+ [4235] kg+
-------------------------	----------------------

NO. OF SHIPPING SECTIONS	2
--------------------------	---

DRAWN BY:	JLM
-----------	-----