

| | | |
|---------|----------------------|-------|
| UNIT | COOLING TOWER | |
| MODEL # | AXS 12-22O22 | SCALE |

EVAPCO, INC.



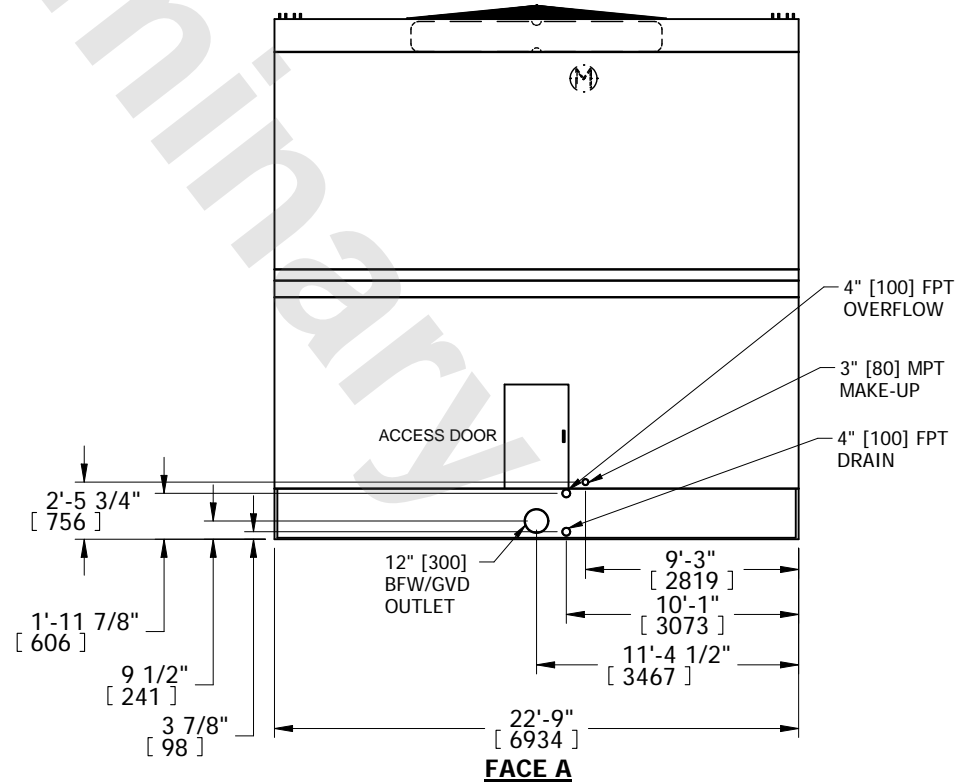
| | | | |
|----------|-----------------|------|-----------|
| DWG. # | AX122220-DRB-ST | REV. | - |
| SERIAL # | | DATE | 6/25/2026 |

- NOTES:
1. (M)- FAN MOTOR LOCATION
 2. HEAVIEST SECTION IS UPPER SECTION
 3. MPT DENOTES MALE PIPE THREAD
FPT DENOTES FEMALE PIPE THREAD
BFW DENOTES BEVELED FOR WELDING
GVD DENOTES GROOVED
 4. +UNIT WEIGHT DOES NOT INCLUDE ACCESSORIES (SEE ACCESSORY DRAWINGS)
 5. MAKE-UP WATER PRESSURE
20 psi MIN [137 kPa], 50 psi MAX [344 kPa]
 6. 3/4" DIA. MOUNTING HOLES. REFER TO RECOMMENDED STEEL SUPPORT DRAWING.
 7. DIMENSIONS LISTED AS FOLLOWS: ENGLISH IN [METRIC] [mm]

**FACE B
PLAN VIEW**



FACE B



FACE A

| | | | | | | | | | |
|-----------------|-----------------------|------------------|------------------------|-------------------------|-----------------------|--------------------------|---|-----------|-----|
| SHIPPING WEIGHT | 19360 lbs+ [8785] kg+ | OPERATING WEIGHT | 40310 lbs+ [18285] kg+ | HEAVIEST SECTION WEIGHT | 10910 lbs+ [4950] kg+ | NO. OF SHIPPING SECTIONS | 2 | DRAWN BY: | JLM |
|-----------------|-----------------------|------------------|------------------------|-------------------------|-----------------------|--------------------------|---|-----------|-----|