

UNIT	<b>COOLING TOWER</b>	
MODEL #	AXS 14-11L24	SCALE

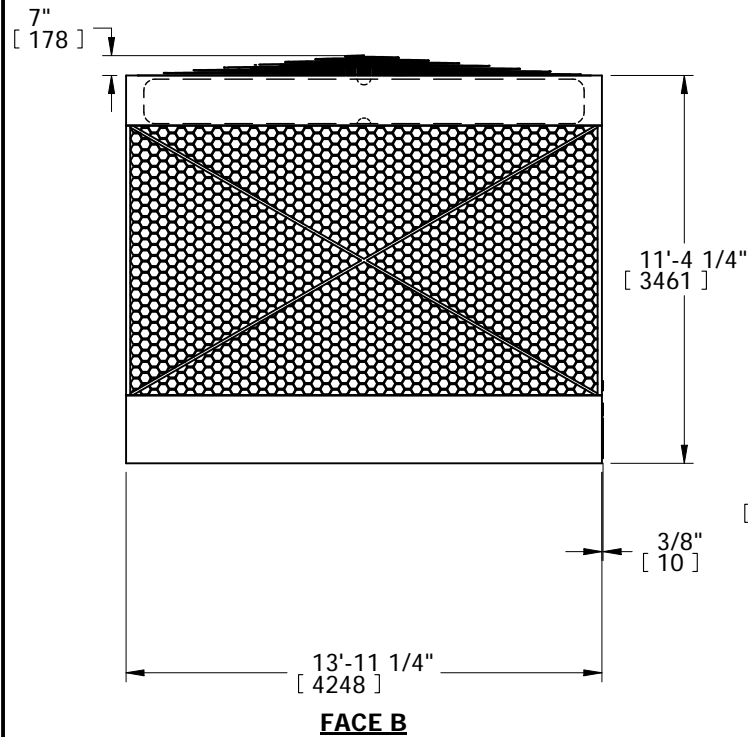
# EVAPCO, INC.



DWG. #	AX142409-DRA-ST	REV.	-
SERIAL #		DATE	6/25/2026

- NOTES:
- (M)- FAN MOTOR LOCATION
  - MPT DENOTES MALE PIPE THREAD  
FPT DENOTES FEMALE PIPE THREAD  
BFW DENOTES BEVELED FOR WELDING  
GVD DENOTES GROOVED
  - +UNIT WEIGHT DOES NOT INCLUDE ACCESSORIES (SEE ACCESSORY DRAWINGS)
  - MAKE-UP WATER PRESSURE  
20 psi MIN [137 kPa], 50 psi MAX [344 kPa]
  - 3/4" DIA. MOUNTING HOLES. REFER TO RECOMMENDED STEEL SUPPORT DRAWING.
  - DIMENSIONS LISTED AS FOLLOWS: ENGLISH IN [METRIC] [mm]

**FACE B  
PLAN VIEW**

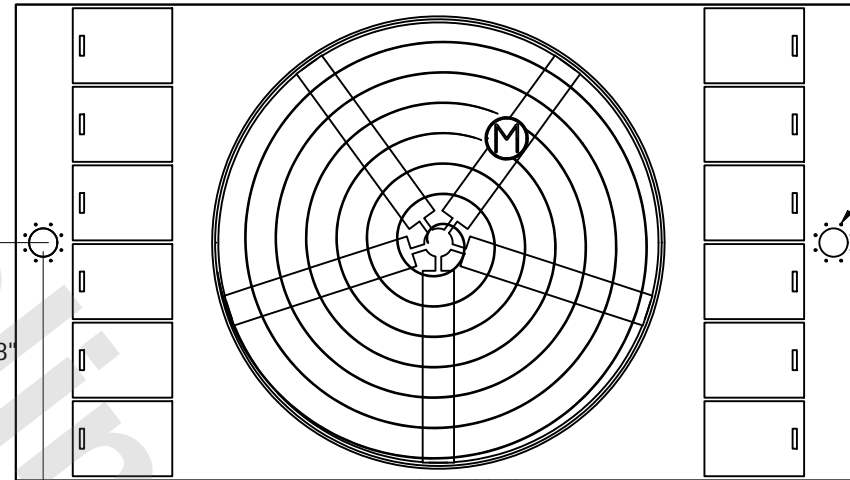


6'-11 5/8"  
[2124]

9 5/8"  
[245]

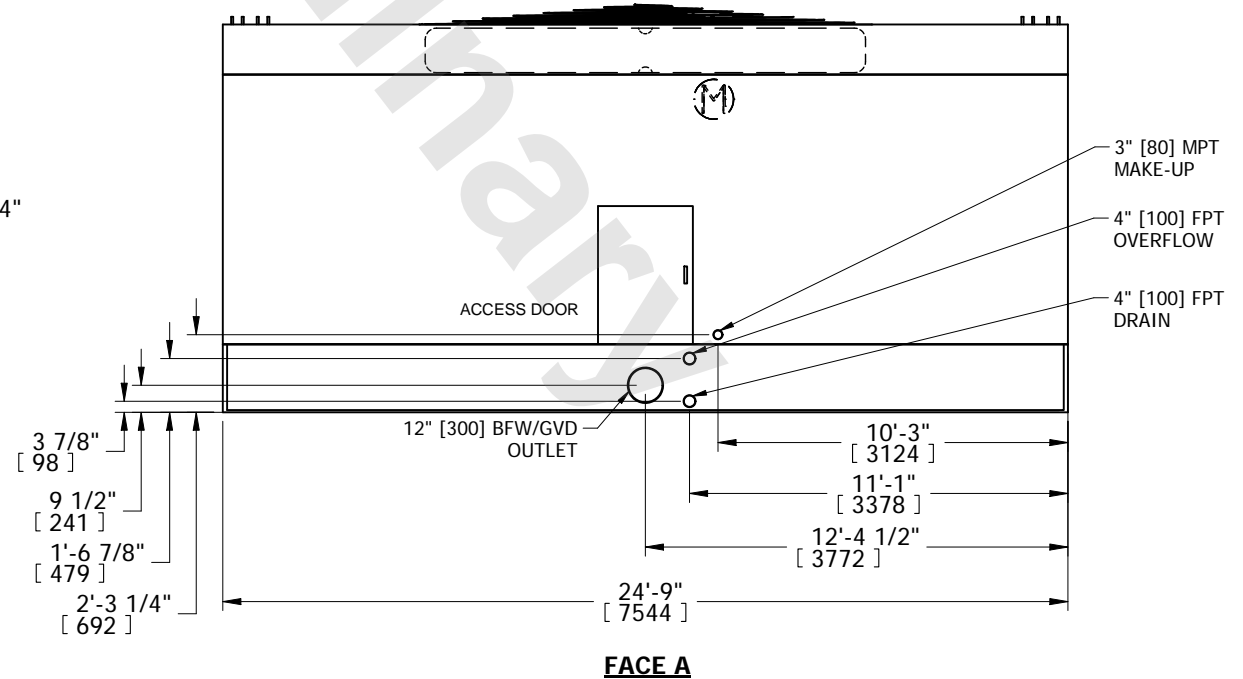
**FACE C**

ACCESS DOOR



(2) 10" [250] ASME  
150 BOLT PATTERN  
INLET  
**FACE D**

**FACE A**



3" [80] MPT  
MAKE-UP  
4" [100] FPT  
OVERFLOW  
4" [100] FPT  
DRAIN

12" [300] BFW/GVD  
OUTLET

3 7/8"  
[98]

9 1/2"  
[241]

1'-6 7/8"  
[479]

2'-3 1/4"  
[692]

10'-3"  
[3124]

11'-1"  
[3378]

12'-4 1/2"  
[3772]

**FACE A**

SHIPPING WEIGHT	14540 lbs+ [6600] kg+	OPERATING WEIGHT	32450 lbs+ [14720] kg+	HEAVIEST SECTION WEIGHT	14540 lbs+ [6600] kg+	NO. OF SHIPPING SECTIONS	1	DRAWN BY:	SLR
-----------------	-----------------------	------------------	------------------------	-------------------------	-----------------------	--------------------------	---	-----------	-----