

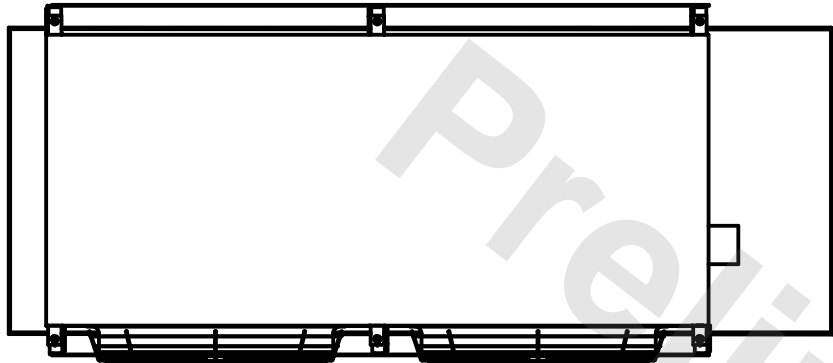
**CONFIDENTIAL**

This document is the property of Evapco, Inc. It should not be copied or disclosed without prior written authorization.

**EVAPCO, INC.**

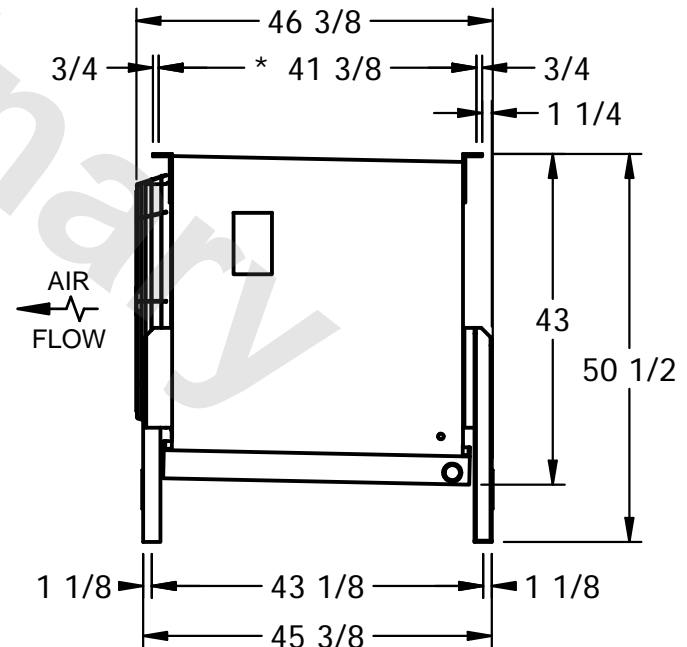
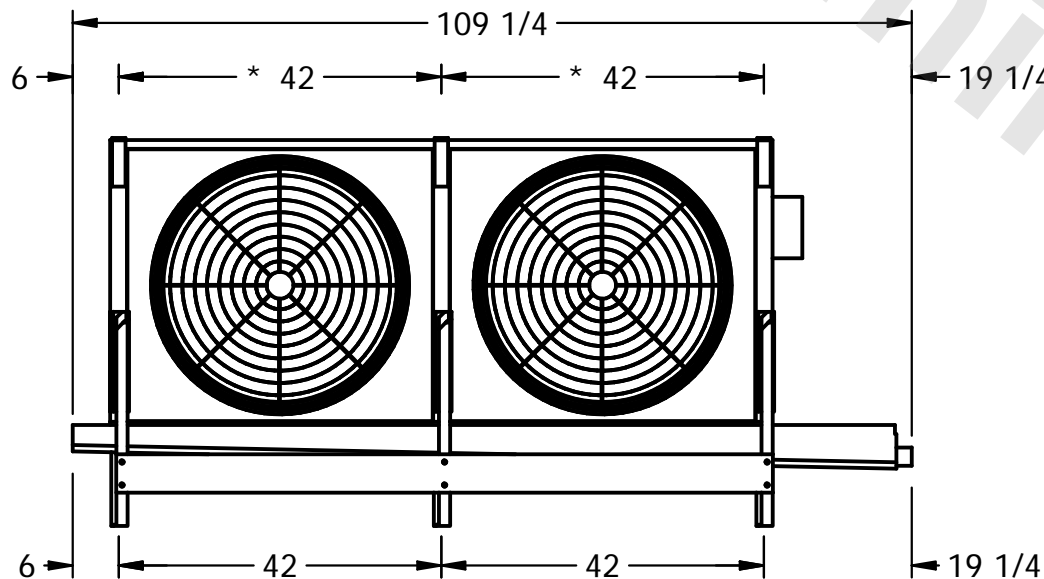


|          |                              |              |                    |        |               |
|----------|------------------------------|--------------|--------------------|--------|---------------|
| CUSTOMER | MODEL # SSTMB2-1946E0100F1JA | SCALE N.T.S. | DWG. # STMC2-SE-16 | REV. 0 | DATE 5/3/2026 |
|----------|------------------------------|--------------|--------------------|--------|---------------|



**NOTES:**

- 1) \* = HANGER HOLE LOCATION.
- 2) RIGHT HAND MODEL SHOWN.
- 3) HANGER HOLES ARE FOR 3/4 INCH THREADED ROD.
- 4) WATER DEFROST ADDS 1 3/4" INCHES TO HEIGHT OF STANDARD UNIT AND CHANGES DRAIN SIZE.
- 5) ALL DIMENSIONS ARE FOR REFERENCE AND SHOULD NOT BE USED FOR PREFABRICATION OF PIPING OR SUPPORTS.



|         |      |                         |                           |
|---------|------|-------------------------|---------------------------|
| PROJECT | ROOM | SHIPPING WEIGHT 940 lbs | OPERATING WEIGHT 1080 lbs |
|---------|------|-------------------------|---------------------------|