

CONFIDENTIAL

This document is the property of Evapco, Inc. It should not be copied or disclosed without prior written authorization.

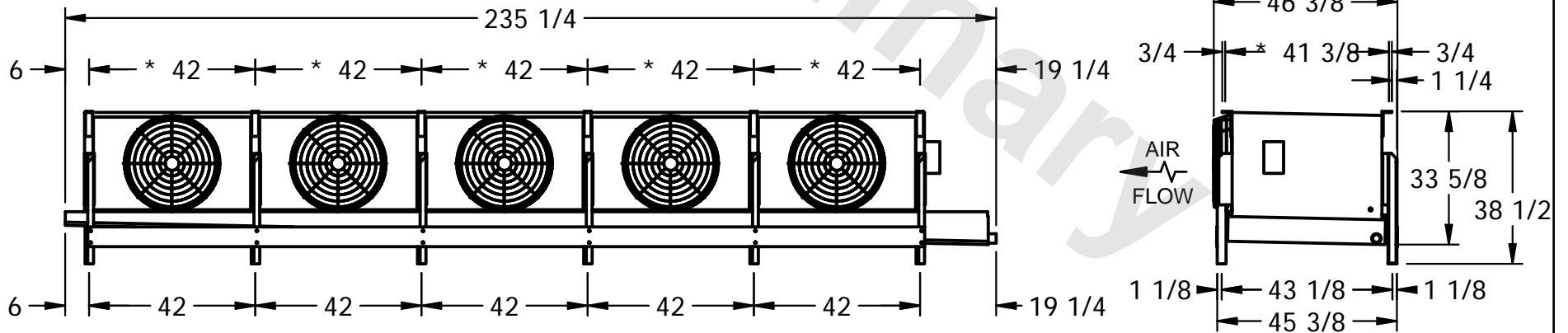
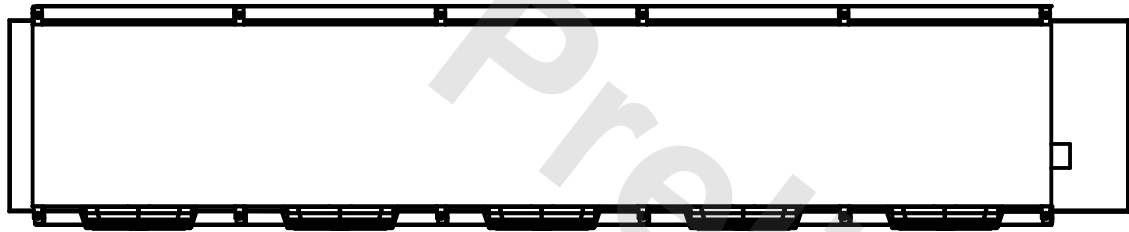
# EVAPCO, INC.



|          |                               |              |                    |        |                |
|----------|-------------------------------|--------------|--------------------|--------|----------------|
| CUSTOMER | MODEL # SSTMB5-35106E0050C6LA | SCALE N.T.S. | DWG. # STMC5-SE-12 | REV. 0 | DATE 3/13/2026 |
|----------|-------------------------------|--------------|--------------------|--------|----------------|

NOTES:

- 1) \* = HANGER HOLE LOCATION.
- 2) RIGHT HAND MODEL SHOWN.
- 3) HANGER HOLES ARE FOR 3/4 INCH THREADED ROD.
- 4) WATER DEFROST ADDS 1 3/4" INCHES TO HEIGHT OF STANDARD UNIT AND CHANGES DRAIN SIZE.
- 5) ALL DIMENSIONS ARE FOR REFERENCE AND SHOULD NOT BE USED FOR PREFABRICATION OF PIPING OR SUPPORTS.



|         |      |                          |                           |
|---------|------|--------------------------|---------------------------|
| PROJECT | ROOM | SHIPPING WEIGHT 2630 lbs | OPERATING WEIGHT 3290 lbs |
|---------|------|--------------------------|---------------------------|