

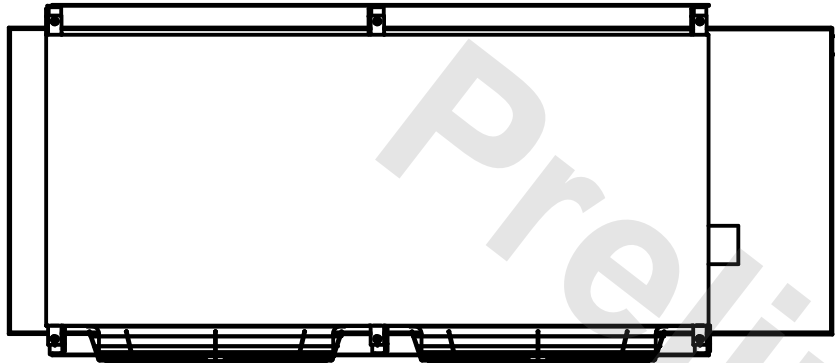
CONFIDENTIAL

This document is the property of Evapco, Inc. It should not be copied or disclosed without prior written authorization.

# EVAPCO, INC.

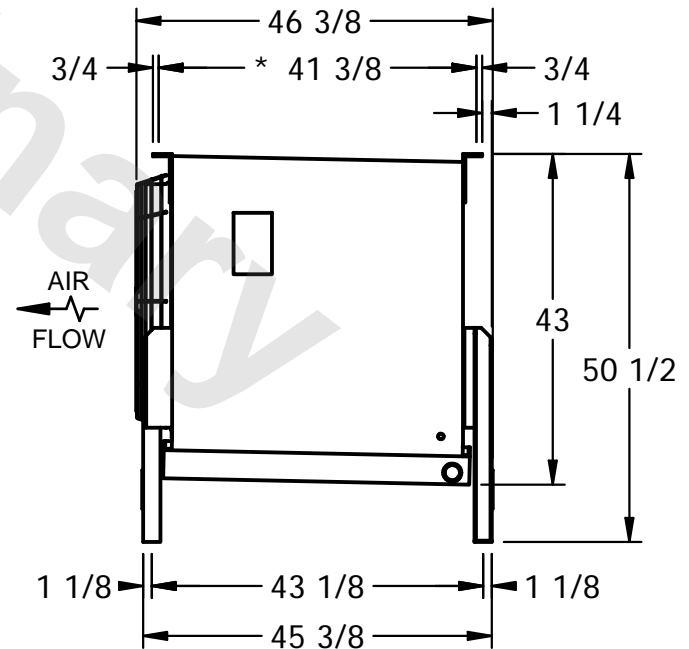
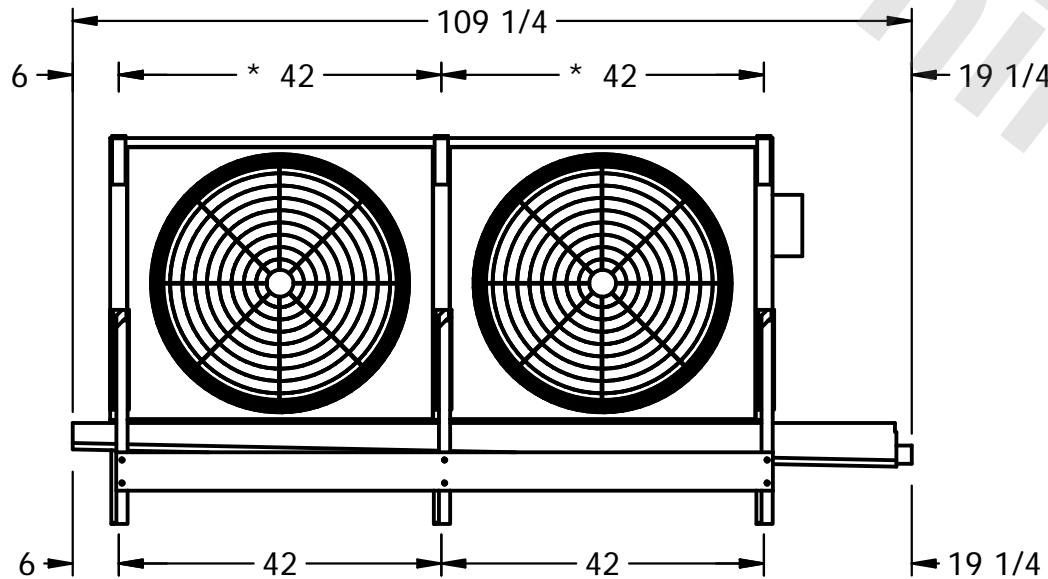


|          |                              |              |                    |        |               |
|----------|------------------------------|--------------|--------------------|--------|---------------|
| CUSTOMER | MODEL # SSTMB2-1946F0050F3KA | SCALE N.T.S. | DWG. # STMC2-SE-16 | REV. 0 | DATE 5/3/2026 |
|----------|------------------------------|--------------|--------------------|--------|---------------|



NOTES:

- 1) \* = HANGER HOLE LOCATION.
- 2) RIGHT HAND MODEL SHOWN.
- 3) HANGER HOLES ARE FOR 3/4 INCH THREADED ROD.
- 4) WATER DEFROST ADDS 1 3/4" INCHES TO HEIGHT OF STANDARD UNIT AND CHANGES DRAIN SIZE.
- 5) ALL DIMENSIONS ARE FOR REFERENCE AND SHOULD NOT BE USED FOR PREFABRICATION OF PIPING OR SUPPORTS.



|         |      |                         |                           |
|---------|------|-------------------------|---------------------------|
| PROJECT | ROOM | SHIPPING WEIGHT 900 lbs | OPERATING WEIGHT 1020 lbs |
|---------|------|-------------------------|---------------------------|