

EVAPCO, INC.

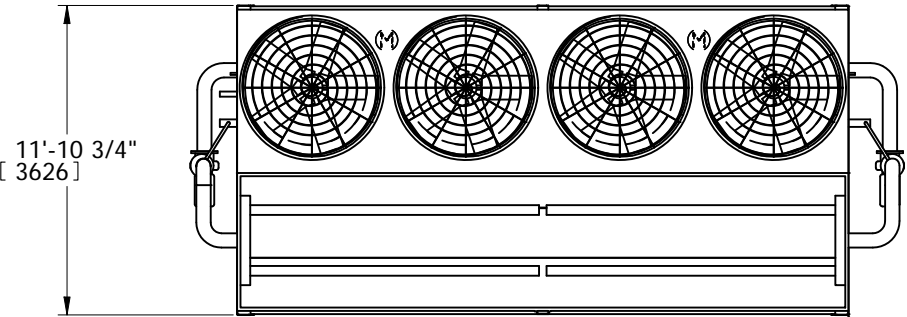


| | | | | | | |
|--------------------------------------|---------------------|-------|-----------------------------|-----------|-------------------|----------|
| UNIT EVAPORATIVE CONDENSER | MODEL # PHC-L674 | SCALE | DWG. # HCS1224S12-DRC-ST | REV. - | DATE 5/18/2026 | SERIAL # |
|--------------------------------------|---------------------|-------|-----------------------------|-----------|-------------------|----------|

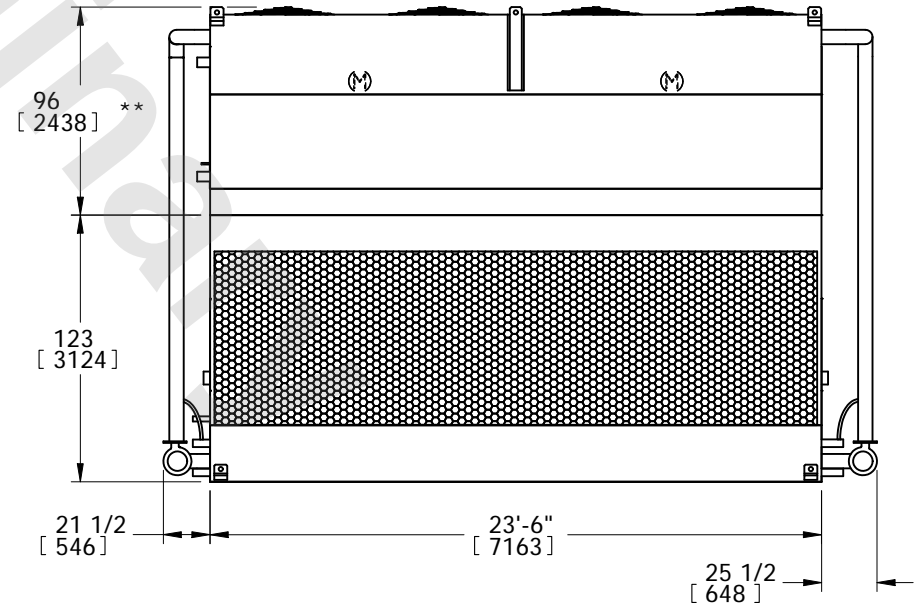
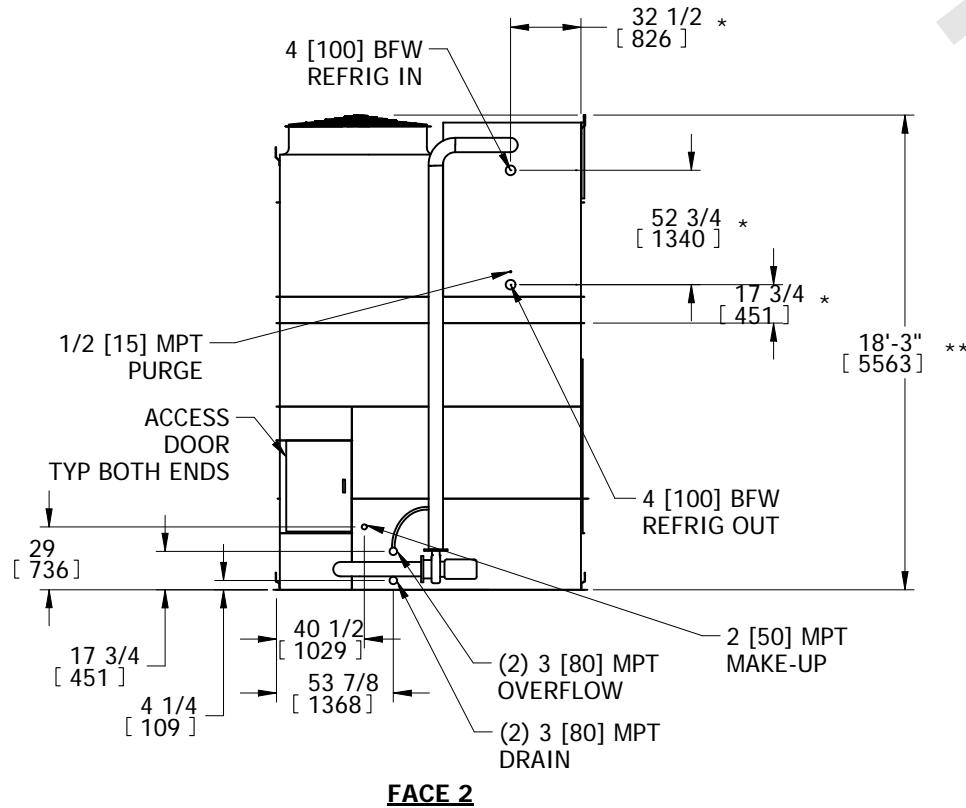
NOTES:

- (M)- FAN MOTOR LOCATION
- HEAVIEST SECTION IS UPPER SECTION
- MPT DENOTES MALE PIPE THREAD
FPT DENOTES FEMALE PIPE THREAD
BFW DENOTES BEVELED FOR WELDING
GVD DENOTES GROOVED
- +UNIT WEIGHT DOES NOT INCLUDE ACCESSORIES (SEE ACCESSORY DRAWINGS)
- MAKE-UP WATER PRESSURE
20 psi MIN [137 kPa], 50 psi MAX [344 kPa]
- 3/4" DIA. MOUNTING HOLES. REFER TO RECOMMENDED STEEL SUPPORT DRAWING.
- *- APPROXIMATE DIMENSIONS DO NOT USE FOR PRE-FABRICATION OF CONNECTION PIPING.
- **-UNITS WITH 20HP PER FAN REQUIRE A TALLER FAN CYLINDER, ADD 5" TO THESE DIMENSIONS.
- DIMENSIONS LISTED AS FOLLOWS: ENGLISH IN [METRIC] [mm]

**FACE 2
PLAN VIEW**



FACE 1



FACE 1

FACE 2

| | | | | |
|---|--|--|-------------------------------|------------------|
| SHIPPING WEIGHT 29260 lbs+ [13275] kg+ | OPERATING WEIGHT 40310 lbs+ [18285] kg+ | HEAVIEST SECTION WEIGHT 20460 lbs+ [9285] kg+ | NO. OF SHIPPING SECTIONS 2 | DRAWN BY: TLS |
|---|--|--|-------------------------------|------------------|