

EVAPCO, INC.

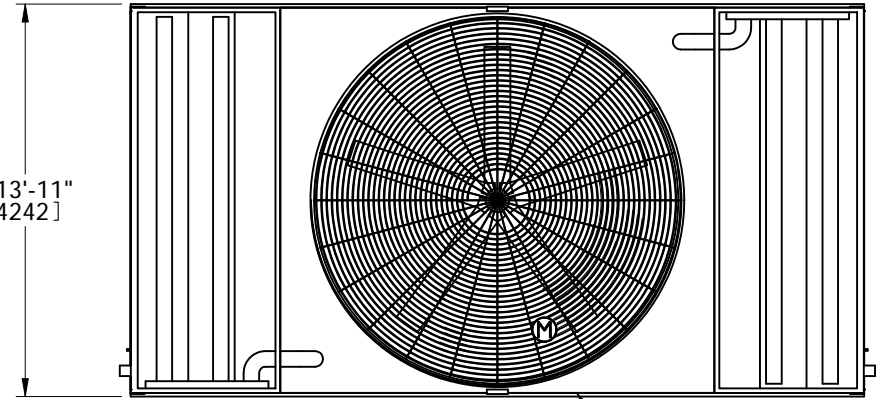


| | | | | | | |
|--------------------------------------|----------------------|-------|----------------------------|-----------|-------------------|----------|
| UNIT EVAPORATIVE CONDENSER | MODEL # PHC-D1025 | SCALE | DWG. # HCD142614-DRC-ST | REV. - | DATE 5/22/2026 | SERIAL # |
|--------------------------------------|----------------------|-------|----------------------------|-----------|-------------------|----------|

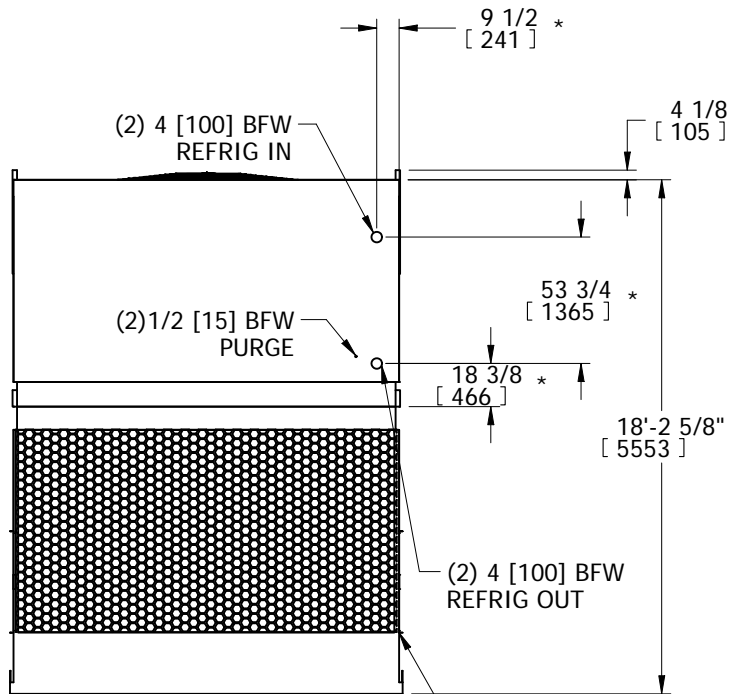
NOTES:

1. (M)- FAN MOTOR LOCATION
2. HEAVIEST SECTION IS UPPER SECTION
3. MPT DENOTES MALE PIPE THREAD
FPT DENOTES FEMALE PIPE THREAD
BFW DENOTES BEVELED FOR WELDING
GVD DENOTES GROOVED
4. +UNIT WEIGHT DOES NOT INCLUDE ACCESSORIES (SEE ACCESSORY DRAWINGS)
5. MAKE-UP WATER PRESSURE
20 psi MIN [137 kPa], 50 psi MAX [344 kPa]
6. 3/4" DIA. MOUNTING HOLES. REFER TO RECOMMENDED STEEL SUPPORT DRAWING.
7. *- APPROXIMATE DIMENSIONS DO NOT USE FOR PRE-FABRICATION OF CONNECTION PIPING.
8. DIMENSIONS LISTED AS FOLLOWS: ENGLISH IN [METRIC] [mm]

FACE 2
PLAN VIEW

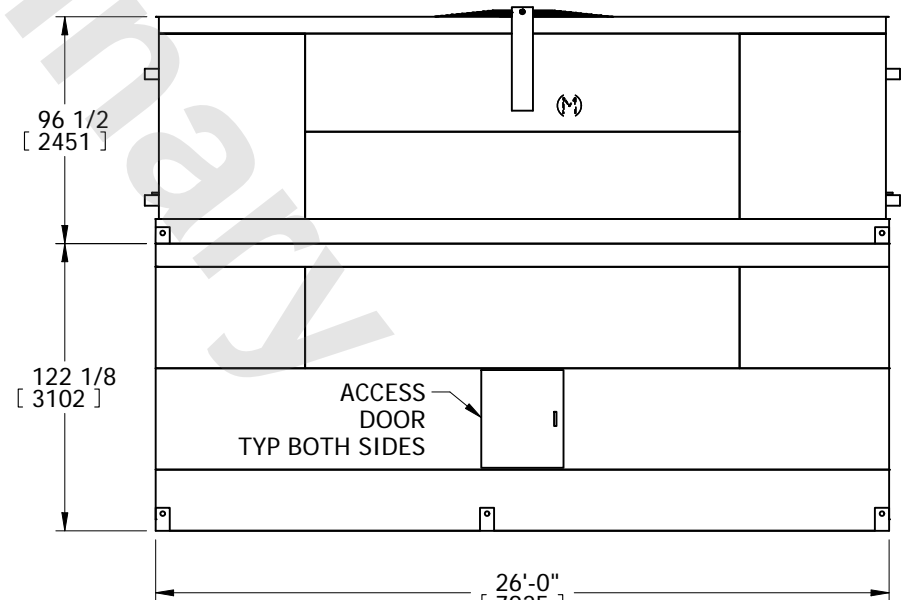


FACE 1
INTERIOR PAN CONNECTIONS THIS SIDE



FACE 2

INTERIOR PAN CONNECTIONS THIS SIDE



FACE 1

| | | | | |
|---|--|---|-------------------------------|------------------|
| SHIPPING WEIGHT 39770 lbs+ [18040] kg+ | OPERATING WEIGHT 60830 lbs+ [27595] kg+ | HEAVIEST SECTION WEIGHT 28270 lbs+ [12825] kg+ | NO. OF SHIPPING SECTIONS 2 | DRAWN BY: TLS |
|---|--|---|-------------------------------|------------------|