

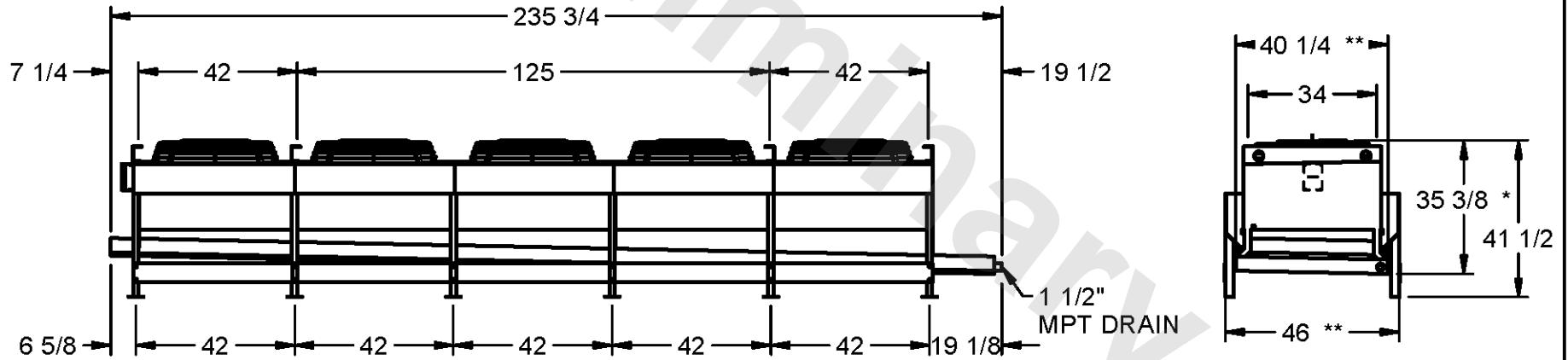
CONFIDENTIAL

This document is the property of Evapco, Inc. It should not be copied or disclosed without prior written authorization.

EVAPCO, INC.



|          |                               |              |                   |        |                |
|----------|-------------------------------|--------------|-------------------|--------|----------------|
| CUSTOMER | MODEL # SSTWB5-47S44E0100F1LA | SCALE N.T.S. | DWG.# STWA5-SE-4L | REV. 0 | DATE 6/25/2026 |
|----------|-------------------------------|--------------|-------------------|--------|----------------|



NOTES

- 1) ALL DIMENSIONS ARE FOR REFERENCE AND SHOULD NOT BE USED FOR PREFABRICATION OF PIPING OR SUPPORTS.
- 2) HANGER HOLES ARE FOR 3/4 INCH THREADED ROD.
- \* HOT GAS DEFROST ADDS 1/2 INCH TO THE HEIGHT OF A STANDARD UNIT, WATER DEFROST ADDS 6 INCHES TO THE HEIGHT OF A STANDARD UNIT AND CHANGES THE DRAIN SIZE.
- \*\* EXTENDED WIDTH DRAIN PAN ADDS 6 INCHES TO THE WIDTH OF A STANDARD UNIT.

|         |      |                                     |                                       |
|---------|------|-------------------------------------|---------------------------------------|
| PROJECT | ROOM | SHIPPING WEIGHT 1980 lbs+ [900] kg+ | OPERATING WEIGHT 2250 lbs+ [1025] kg+ |
|---------|------|-------------------------------------|---------------------------------------|