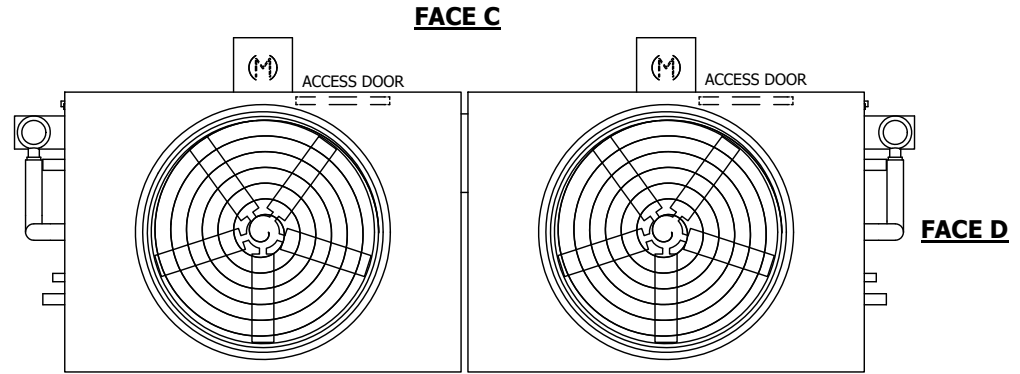


UNIT	<b>CONDENSER</b>	
MODEL #	eco-ATC-664A	SCALE NTS

# EVAPCO, INC.

DWG. #	EG092412-DRC-ST	REV.	-
SERIAL #		DATE	4/7/2026

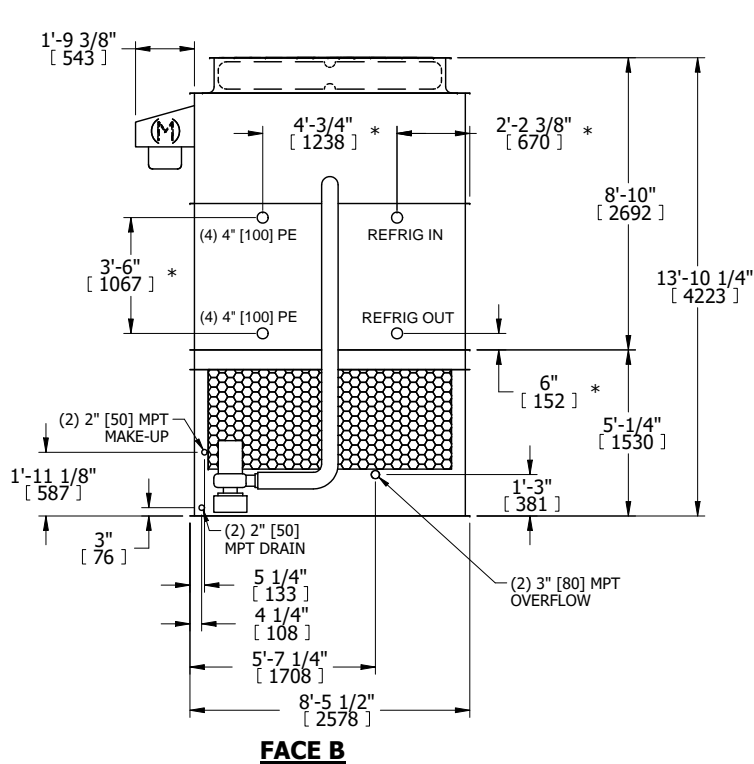
- NOTES:
- (M)- FAN MOTOR LOCATION
  - HEAVIEST SECTION IS UPPER SECTION
  - MPT DENOTES MALE PIPE THREAD  
FPT DENOTES FEMALE PIPE THREAD  
BFW DENOTES BEVELED FOR WELDING  
GVD DENOTES GROOVED  
FLG DENOTES FLANGE  
PE DENOTES PLAIN END
  - +UNIT WEIGHT DOES NOT INCLUDE ACCESSORIES (SEE ACCESSORY DRAWINGS)
  - MAKE-UP WATER PRESSURE  
20 psi MIN [137 kPa], 50 psi MAX [344 kPa]
  - \*-APPROXIMATE DIMENSIONS DO NOT USE FOR PRE-FABRICATION OF CONNECTING PIPING
  - 3/4" [19MM] DIA. MOUNTING HOLES. REFER TO RECOMMENDED STEEL SUPPORT DRAWING.
  - DIMENSIONS LISTED AS FOLLOWS:  
ENGLISH FT-IN  
METRIC [mm]



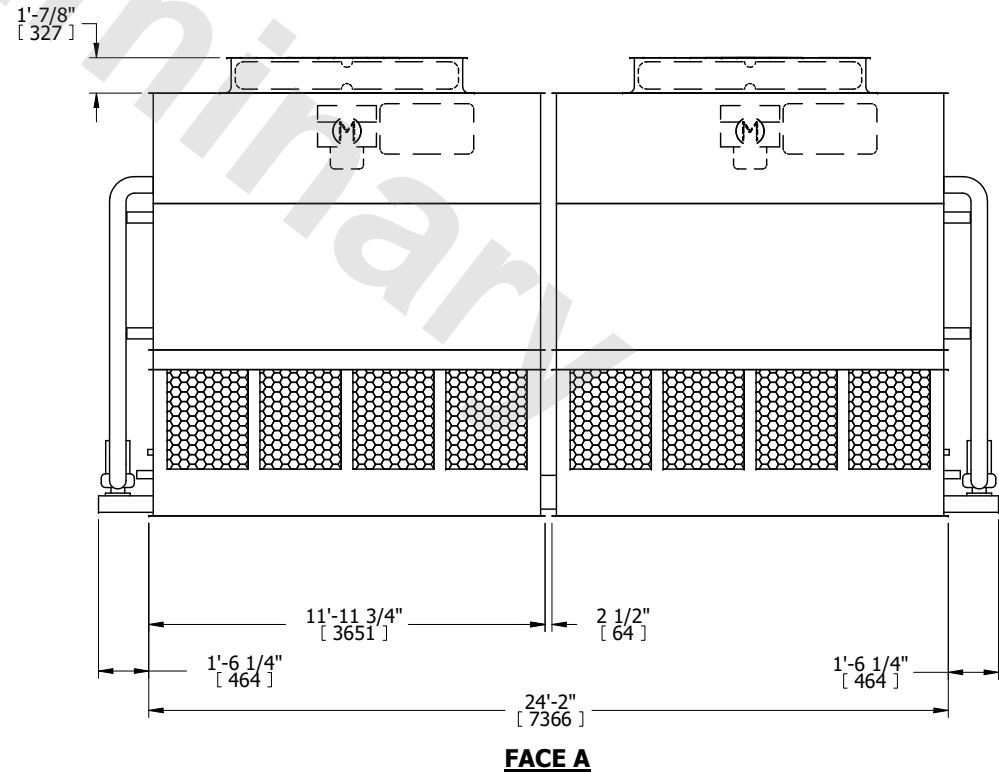
**FACE B**  
**PLAN VIEW**

**FACE C**

**FACE A**



**FACE B**



**FACE A**

SHIPPING WEIGHT	36960 lbs+ [16765] kg+	OPERATING WEIGHT	45800 lbs+ [20775] kg+	HEAVIEST SECTION WEIGHT	16610 lbs+ [7535] kg+	NO. OF SHIPPING SECTIONS	4	DRAWN BY:	TLM
-----------------	------------------------	------------------	------------------------	-------------------------	-----------------------	--------------------------	---	-----------	-----