

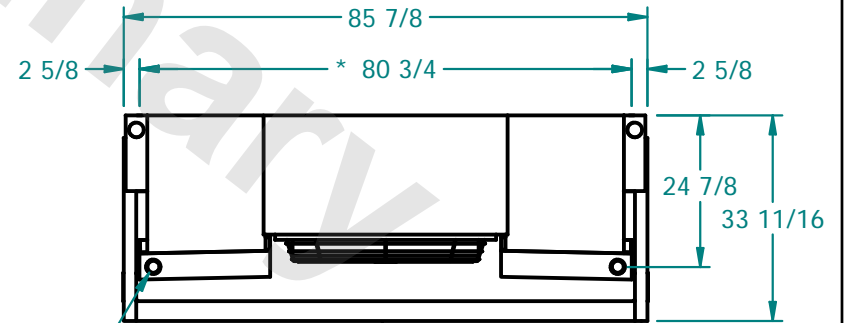
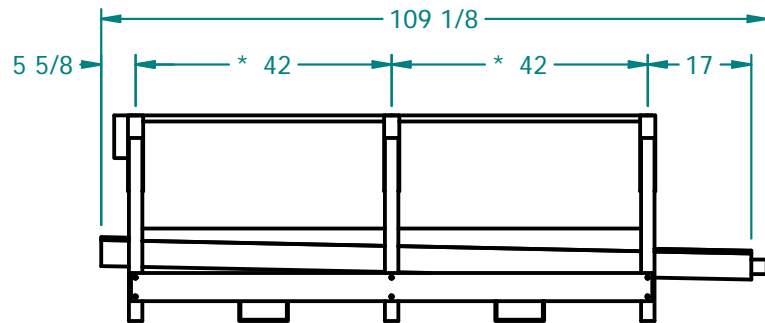
CONFIDENTIAL

This document is the property of Evapco, Inc. It should not be copied or disclosed without prior written authorization

EVAPCO, INC.



| | | | | | |
|----------|--------------------------------|--------------|----------------|--------|---------------|
| CUSTOMER | MODEL # SSTDB2-1966E0300F1LA-B | SCALE N.T.S. | DWG. # STD2-BT | REV. 0 | DATE 4/9/2026 |
|----------|--------------------------------|--------------|----------------|--------|---------------|



2.0" MPT DRAIN TYP. 2

AIR FLOW BLOW THROUGH

NOTES :

- 1) * = HANGER HOLE LOCATION.
- 2) ALL DIMENSIONS ARE FOR REFERENCE AND SHOULD NOT BE USED FOR PREFABRICATION OF PIPING OR SUPPORTS.
- 3) HANGER HOLES ARE FOR 3/4 INCH THREADED ROD.

| | | | |
|---------|------|--------------------------|---------------------------|
| PROJECT | ROOM | SHIPPING WEIGHT 1310 lbs | OPERATING WEIGHT 1530 lbs |
|---------|------|--------------------------|---------------------------|