

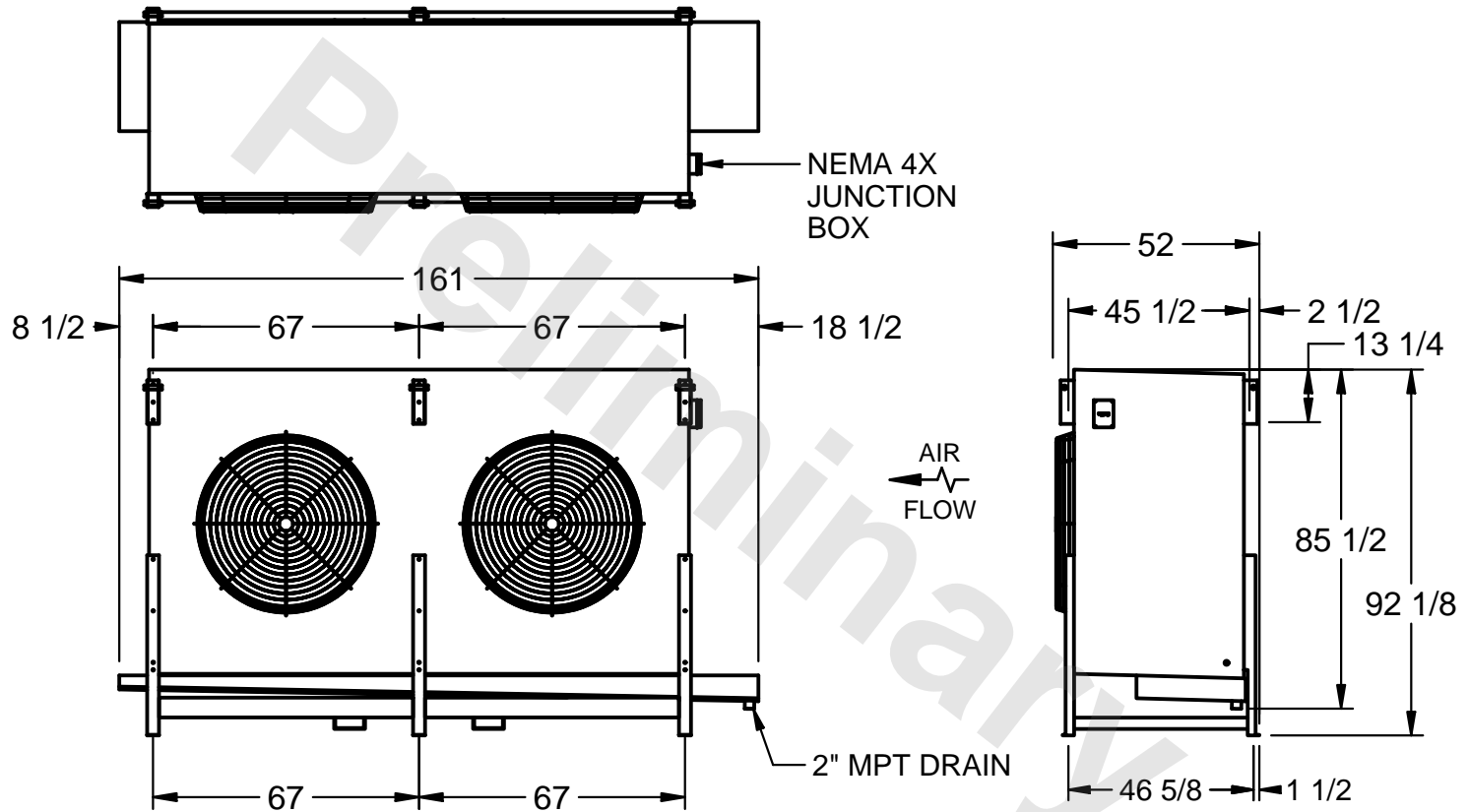
**CONFIDENTIAL**

This document is the property of Evapco, Inc. It should not be copied or disclosed without prior written authorization.

**EVAPCO, INC.**



|          |                                  |                 |                            |        |                  |
|----------|----------------------------------|-----------------|----------------------------|--------|------------------|
| CUSTOMER | MODEL #<br>SSTHB2-67123E0500K1LA | SCALE<br>N.T.S. | DWG.#<br>STL2-SE-24-10R-FL | REV. 1 | DATE<br>5/6/2026 |
|----------|----------------------------------|-----------------|----------------------------|--------|------------------|



**NOTES:**

- 1) RIGHT HAND MODEL SHOWN.
- 2) ALL DIMENSIONS ARE FOR REFERENCE AND SHOULD NOT BE USED FOR PREFABRICATION OF PIPING OR SUPPORTS.
- 3) WATER DEFROST ADDS 6 INCHES TO HEIGHT OF STANDARD UNIT AND CHANGES DRAIN SIZE.
- 4) HANGER HOLES ARE FOR 3/4 INCH THREADED ROD.

|         |      |                          |                           |
|---------|------|--------------------------|---------------------------|
| PROJECT | ROOM | SHIPPING WEIGHT 3730 lbs | OPERATING WEIGHT 4690 lbs |
|---------|------|--------------------------|---------------------------|