

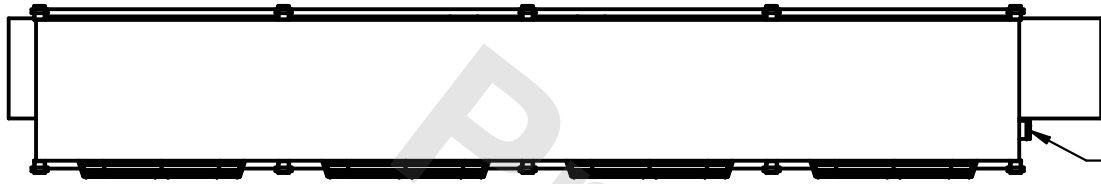
CONFIDENTIAL

This document is the property of Evapco, Inc. It should not be copied or disclosed without prior written authorization.

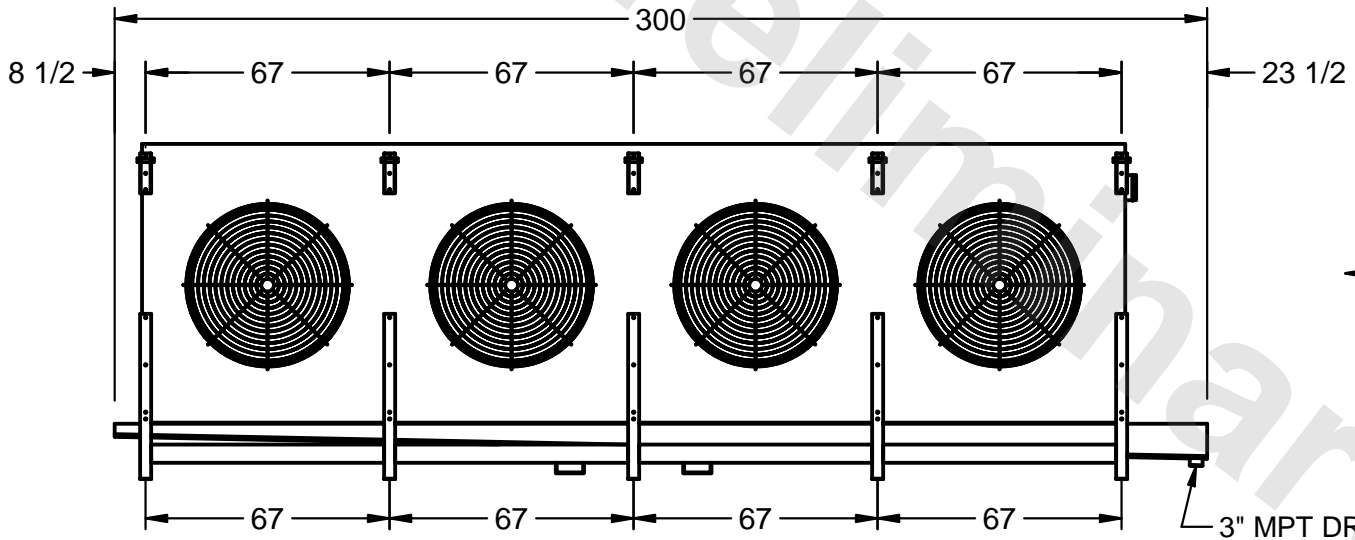
EVAPCO, INC.



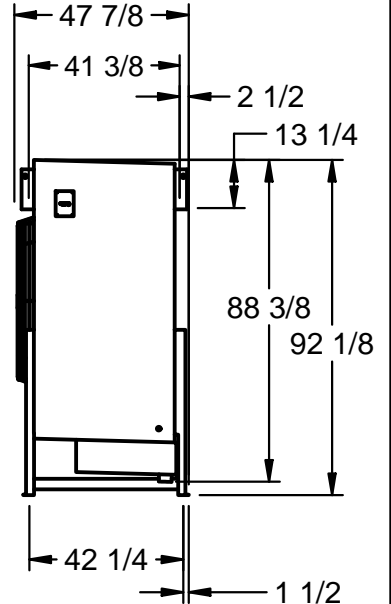
CUSTOMER	MODEL # SSTHB4-1346VE0750K1LA	SCALE N.T.S.	DWG. # STL4-SE-24-FL	REV. 1	DATE 4/29/2026
----------	----------------------------------	-----------------	-------------------------	--------	-------------------



NEMA 4X
JUNCTION
BOX



AIR
FLOW



NOTES:

- 1) RIGHT HAND MODEL SHOWN.
- 2) ALL DIMENSIONS ARE FOR REFERENCE AND SHOULD NOT BE USED FOR PREFABRICATION OF PIPING OR SUPPORTS.
- 3) WATER DEFROST ADDS 6 INCHES TO HEIGHT OF STANDARD UNIT AND CHANGES DRAIN SIZE.
- 4) HANGER HOLES ARE FOR 3/4 INCH THREADED ROD.

PROJECT	ROOM	SHIPPING WEIGHT 6120 lbs	OPERATING WEIGHT 6960 lbs
---------	------	--------------------------	---------------------------