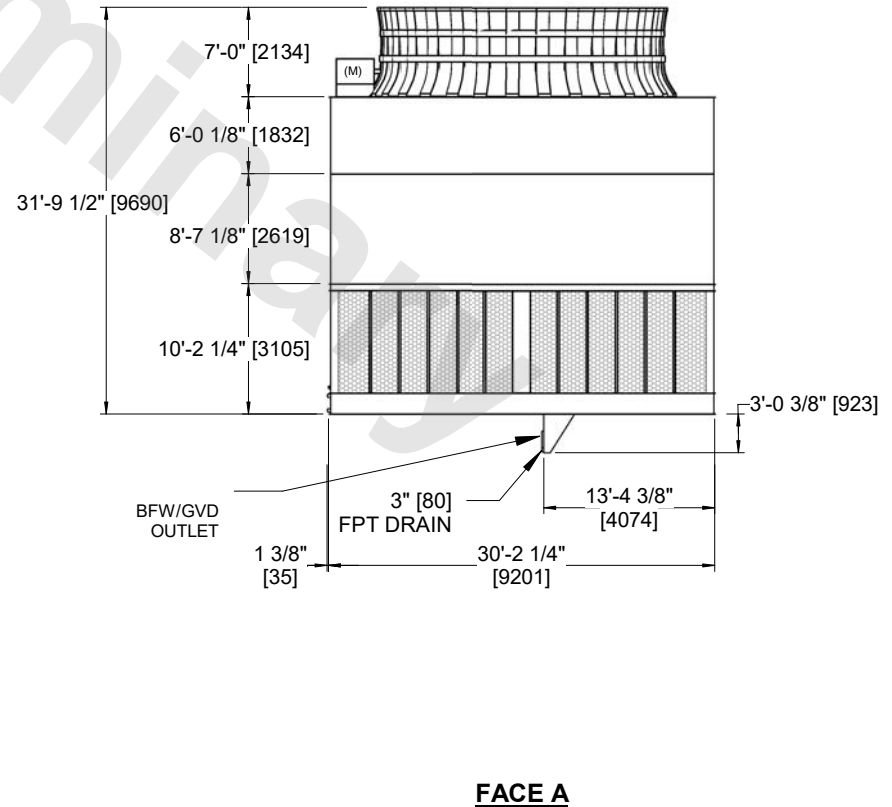
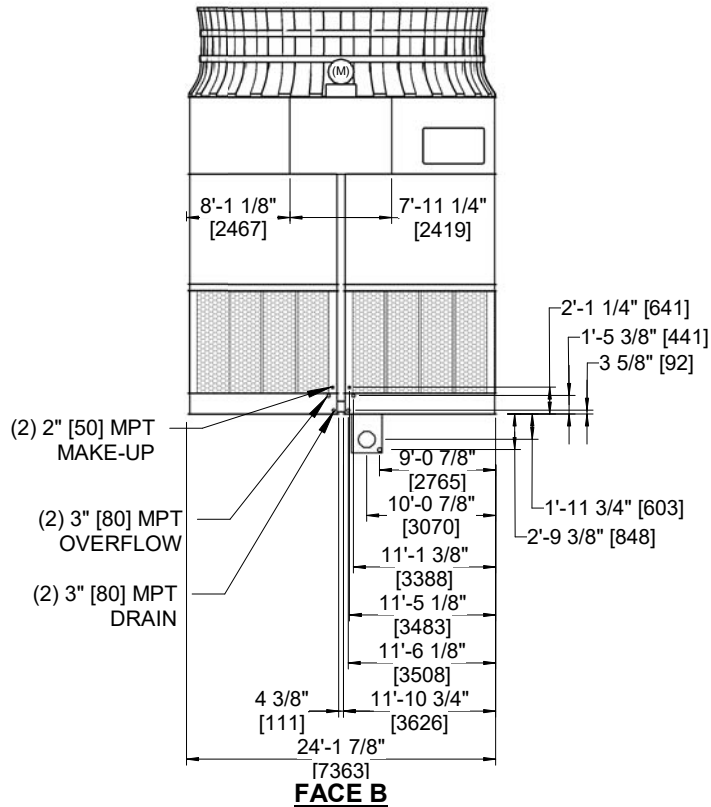
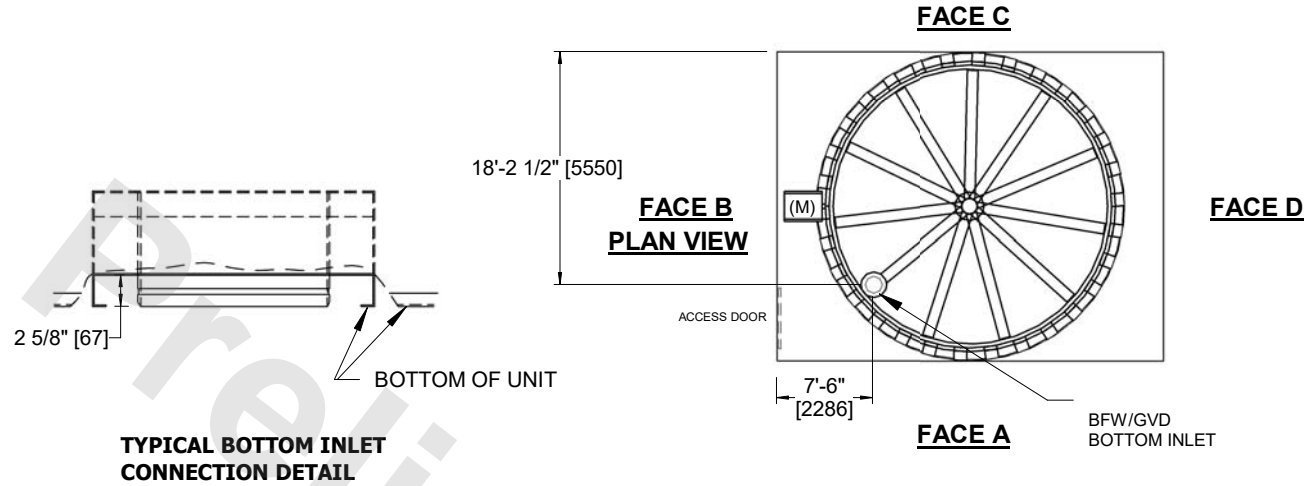


| | | |
|---------|----------------|-----------|
| UNIT | COOLING TOWER | |
| MODEL # | AT 124-4R30-EV | SCALE NTS |



| | | | |
|----------|-----------------------|-------|-----------|
| DWG. # | ATL4BI24304E5T-DRC-DS | REV | - |
| SERIAL # | | DATE: | 5/24/2026 |

- NOTES**
1. (M)- FAN MOTOR LOCATION
 2. HEAVIEST SECTION IS CASING SECTION
 3. MPT DENOTES MALE PIPE THREAD
FPT DENOTES FEMALE PIPE THREAD
BFW DENOTES BEVELED FOR WELDING
GVD DENOTES GROOVED
FLG DENOTES FLANGE
 4. +UNIT WEIGHT DOES NOT INCLUDE ACCESSORIES (SEE ACCESSORY DRAWINGS)
 5. 3/4" [19mm] DIA. MOUNTING HOLES. REFER TO RECOMMENDED STEEL SUPPORT DRAWING
 6. DIMENSIONS LISTED AS FOLLOWS
ENGLISH FT-IN
[METRIC] [mm]
 7. FOR BOTTOM INLET SPECIFICATIONS, SEE DETAIL.



| | | | | | | | | | |
|-----------------|------------------------|------------------|------------------------|-------------------------|-----------------------|--------------------------|---|-----------|-----|
| SHIPPING WEIGHT | 68100 lbs+ [30890] kg+ | OPERATING WEIGHT | 94630 lbs+ [42925] kg+ | HEAVIEST SECTION WEIGHT | 12320 lbs+ [5590] kg+ | NO. OF SHIPPING SECTIONS | 7 | DRAWN BY: | JLG |
|-----------------|------------------------|------------------|------------------------|-------------------------|-----------------------|--------------------------|---|-----------|-----|