

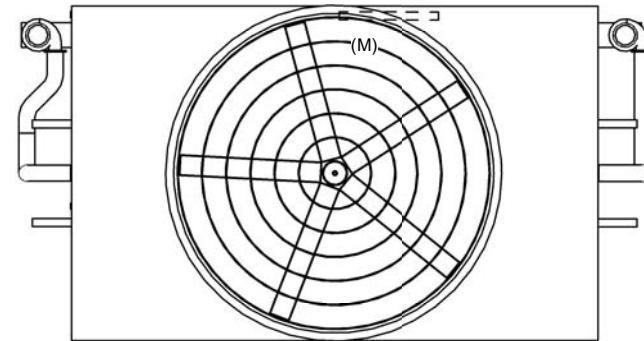
UNIT CLOSED CIRCUIT COOLER  
 MODEL # ESW4 14-53P22-LP SCALE NTS

# EVAPCO, INC.

DWG. # WX414226006-DRB-ST REV -  
 SERIAL # DATE: 5/1/2026

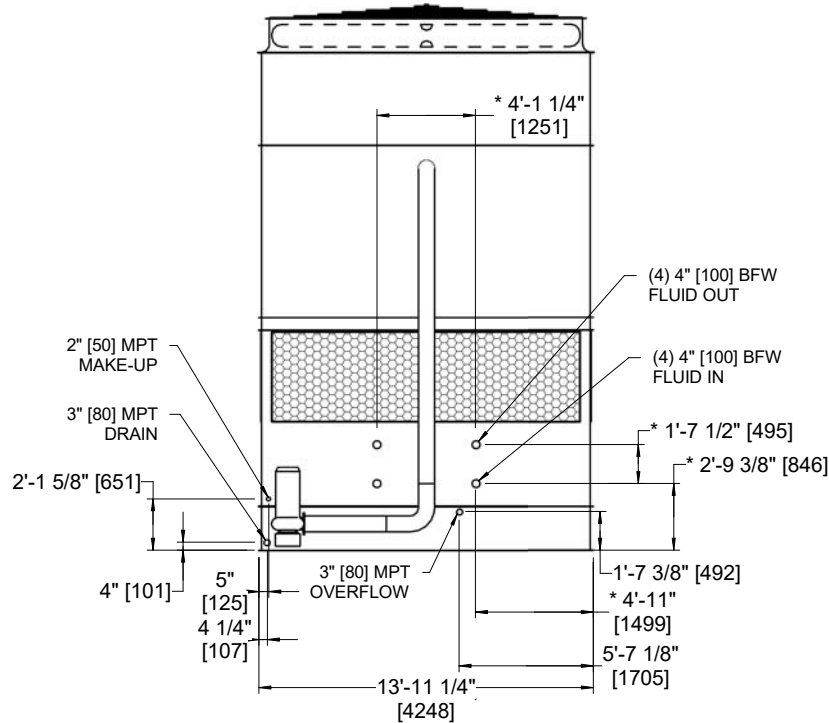
- NOTES:
- (M)- FAN MOTOR LOCATION
  - HEAVIEST SECTION IS COIL SECTION
  - MPT DENOTES MALE PIPE THREAD  
 FPT DENOTES FEMALE PIPE THREAD  
 BFW DENOTES BEVELED FOR WELDING  
 GVD DENOTES GROOVED  
 FLG DENOTES FLANGE
  - +UNIT WEIGHT DOES NOT INCLUDE ACCESSORIES (SEE ACCESSORY DRAWINGS)
  - 3/4" [19MM] DIA. MOUNTING HOLES. REFER TO RECOMMENDED STEEL SUPPORT DRAWING
  - MAKE-UP WATER PRESSURE  
 20 psi MIN [137 kPa], 50 psi MAX [344 kPa]
  - DIMENSIONS LISTED AS FOLLOWS:  
 ENGLISH FT-IN  
 [METRIC] [mm]
  - \* - APPROXIMATE DIMENSIONS DO NOT USE FOR PRE-FABRICATION OF CONNECTING PIPING

**FACE C**



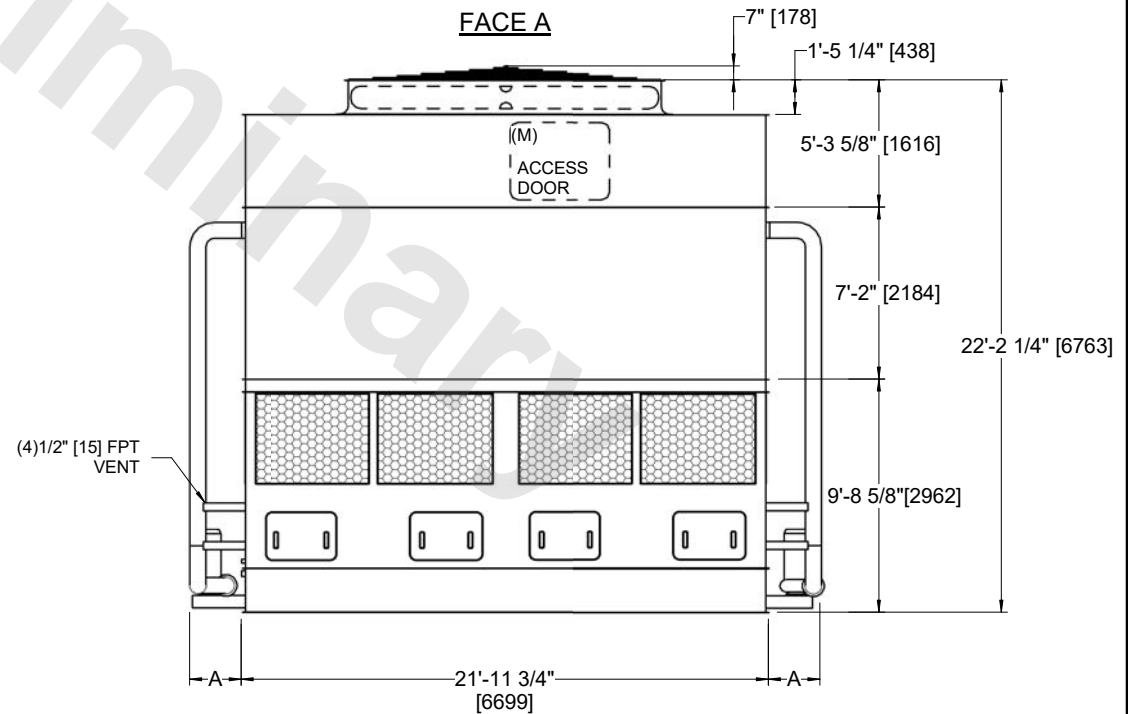
**FACE B  
 PLAN VIEW**

**FACE D**



**FACE B**

**FACE A**



**FACE A**

| MODEL NUMBER     | DIMENSION A |
|------------------|-------------|
| ESW4 14-53*22-LP | 2'-1 3/4"   |
| ESW4 14-53*22-AP | 2'-7 1/4"   |

SHIPPING WEIGHT 39480 lbs+ [17910] kg+

OPERATING WEIGHT 55990 lbs+ [25400] kg+

HEAVIEST SECTION WEIGHT 23240 lbs+ [10545] kg+

NO. OF SHIPPING SECTIONS 3

DRAWN BY: JLG