

| | |
|-------------------------------|--------------|
| UNIT CLOSED CIRCUIT COOLER | SCALE NTS |
| MODEL # ESW4 14-25M22-AP | |

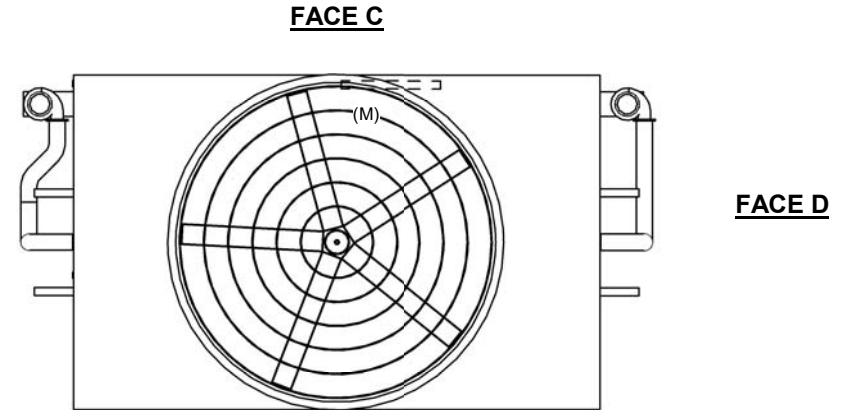
EVAPCO, INC.

| | |
|------------------------------|--------------------|
| DWG. # WX414222410-DRB-ST | REV - |
| SERIAL # | DATE: 4/23/2026 |

NOTES:

- (M)- FAN MOTOR LOCATION
- HEAVIEST SECTION IS COIL SECTION
- MPT DENOTES MALE PIPE THREAD
FPT DENOTES FEMALE PIPE THREAD
BFW DENOTES BEVELED FOR WELDING
GVD DENOTES GROOVED
FLG DENOTES FLANGE
- +UNIT WEIGHT DOES NOT INCLUDE ACCESSORIES (SEE ACCESSORY DRAWINGS)
- 3/4" [19MM] DIA. MOUNTING HOLES. REFER TO RECOMMENDED STEEL SUPPORT DRAWING
- MAKE-UP WATER PRESSURE
20 psi MIN [137 kPa], 50 psi MAX [344 kPa]
- DIMENSIONS LISTED AS FOLLOWS:
ENGLISH FT-IN
[METRIC] [mm]
- * - APPROXIMATE DIMENSIONS DO NOT USE FOR PRE-FABRICATION OF CONNECTING PIPING

**FACE B
PLAN VIEW**



FACE A



FACE B

FACE A

| MODEL NUMBER | DIMENSION A |
|------------------|-------------|
| ESW4 14-25*22-LP | 2'-1 3/4" |
| ESW4 14-25*22-AP | 2'-7 1/4" |

| | | | | |
|---|--|---|-------------------------------|------------------|
| SHIPPING WEIGHT 41560 lbs+ [18855] kg+ | OPERATING WEIGHT 62180 lbs+ [28205] kg+ | HEAVIEST SECTION WEIGHT 30410 lbs+ [13795] kg+ | NO. OF SHIPPING SECTIONS 2 | DRAWN BY: JLG |
|---|--|---|-------------------------------|------------------|