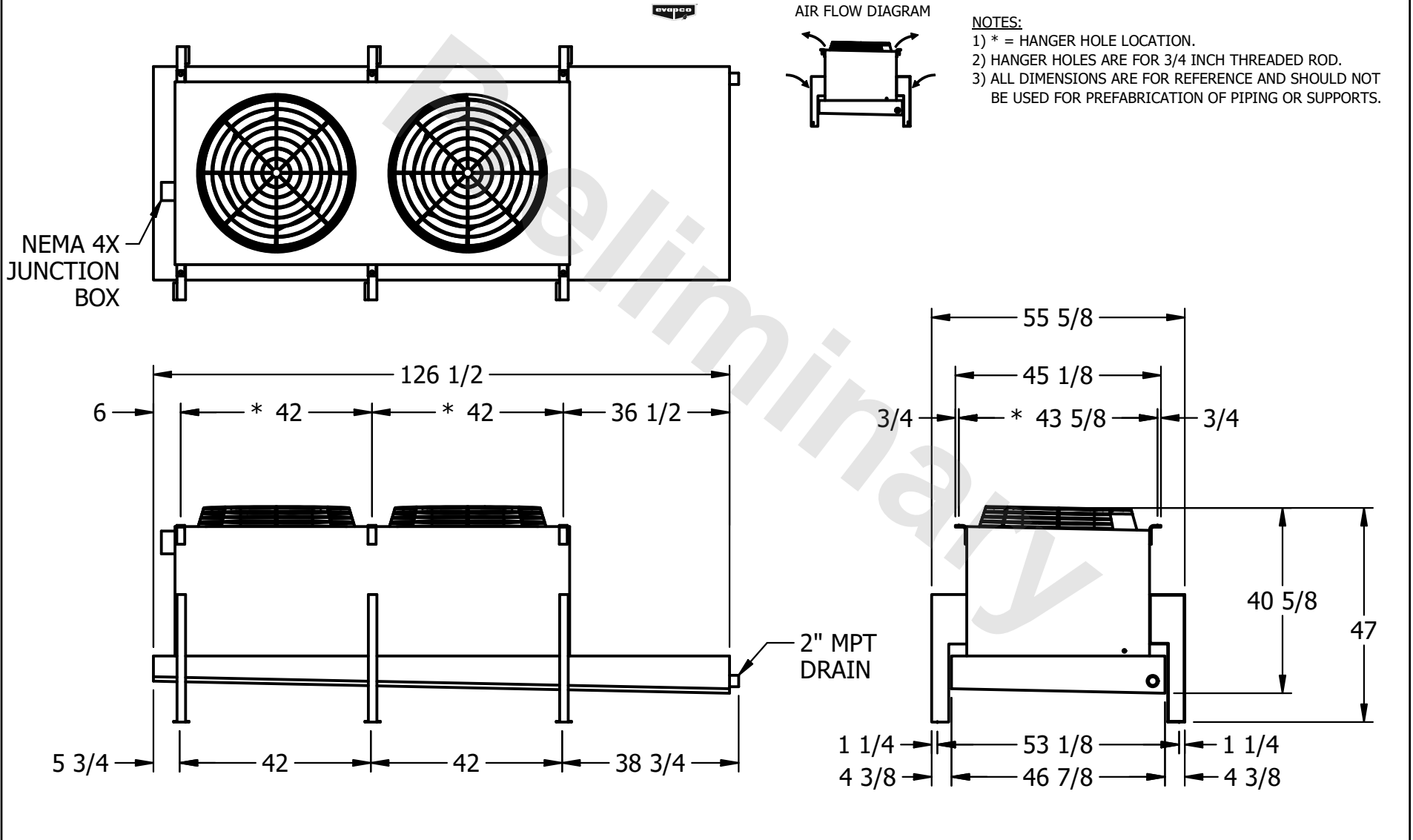


CONFIDENTIAL

This document is the property of Evapco, Inc. It should not be copied or disclosed without prior written authorization.

CUSTOMER	MODEL # U-SSTWE2-19R64F0075F1LA	SCALE N.T.S.	DWG. # USSTW2-SE-6L	REV. 0	DATE 5/16/2026
----------	---------------------------------	--------------	---------------------	--------	----------------



PROJECT	ROOM	SHIPPING WEIGHT	980 lbs+ [445] kg+	OPERATING WEIGHT	1110 lbs+ [505] kg+
---------	------	-----------------	--------------------	------------------	---------------------