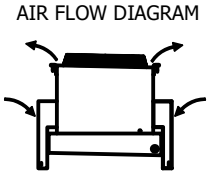
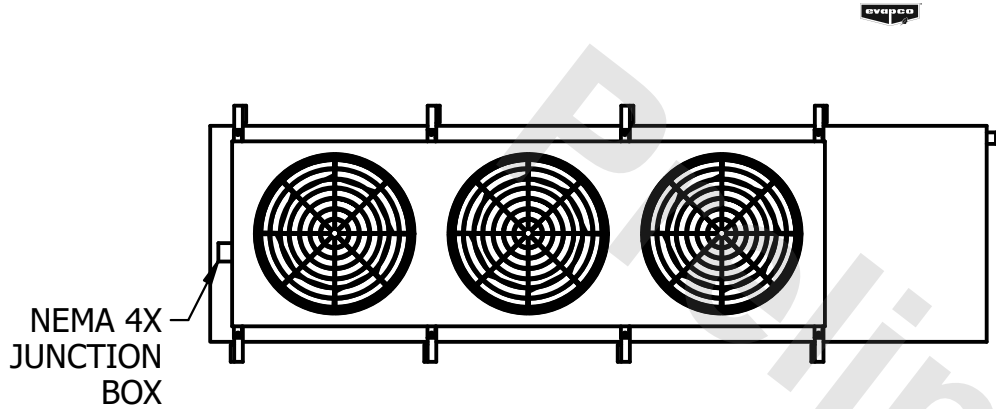


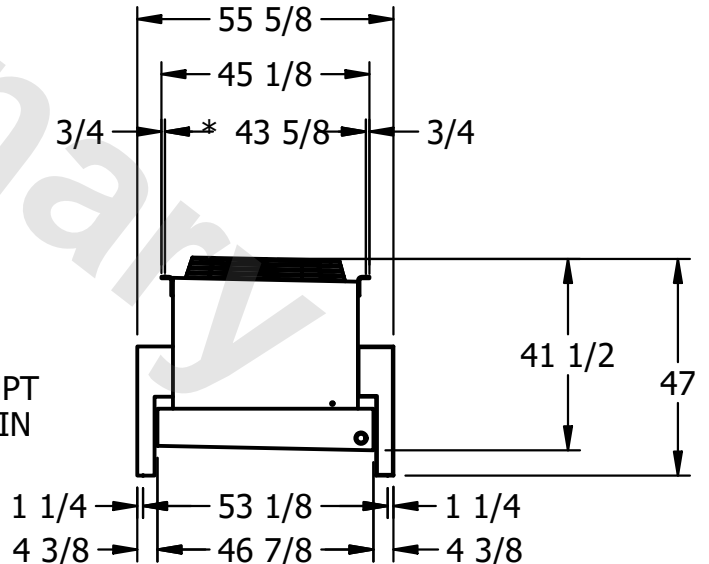
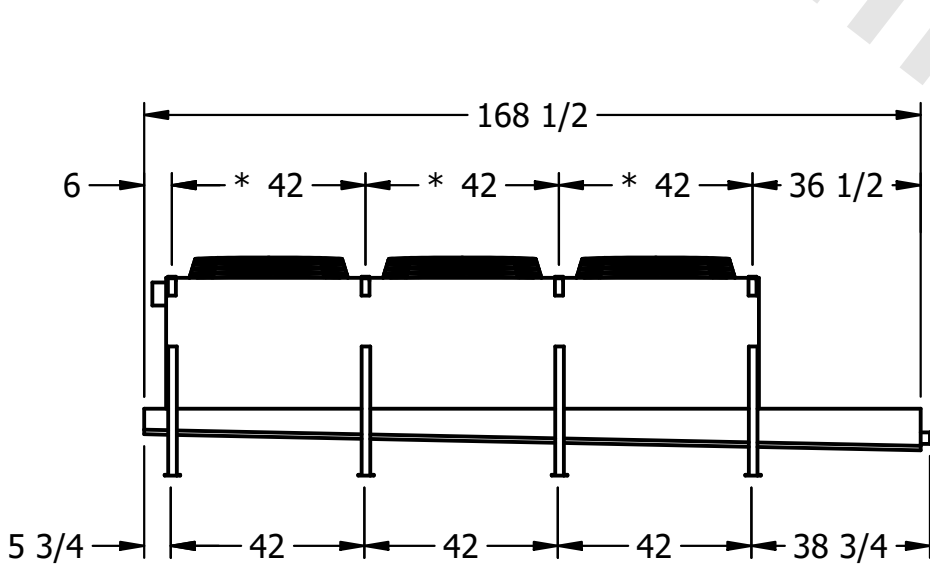
CONFIDENTIAL

This document is the property of Evapco, Inc. It should not be copied or disclosed without prior written authorization.

| | | | | | |
|----------|---------------------------------|--------------|---------------------|--------|----------------|
| CUSTOMER | MODEL # U-SSTWE3-28R66H0050F3KA | SCALE N.T.S. | DWG. # USSTW3-SE-6L | REV. 0 | DATE 5/17/2026 |
|----------|---------------------------------|--------------|---------------------|--------|----------------|



- NOTES:**
- 1) * = HANGER HOLE LOCATION.
 - 2) HANGER HOLES ARE FOR 3/4 INCH THREADED ROD.
 - 3) ALL DIMENSIONS ARE FOR REFERENCE AND SHOULD NOT BE USED FOR PREFABRICATION OF PIPING OR SUPPORTS.



2" MPT DRAIN

| | | | |
|---------|------|-------------------------------------|--------------------------------------|
| PROJECT | ROOM | SHIPPING WEIGHT 1890 lbs+ [860] kg+ | OPERATING WEIGHT 2140 lbs+ [975] kg+ |
|---------|------|-------------------------------------|--------------------------------------|