

CONFIDENTIAL

This document is the property of Evapco, Inc. It should not be copied or disclosed without prior written authorization.

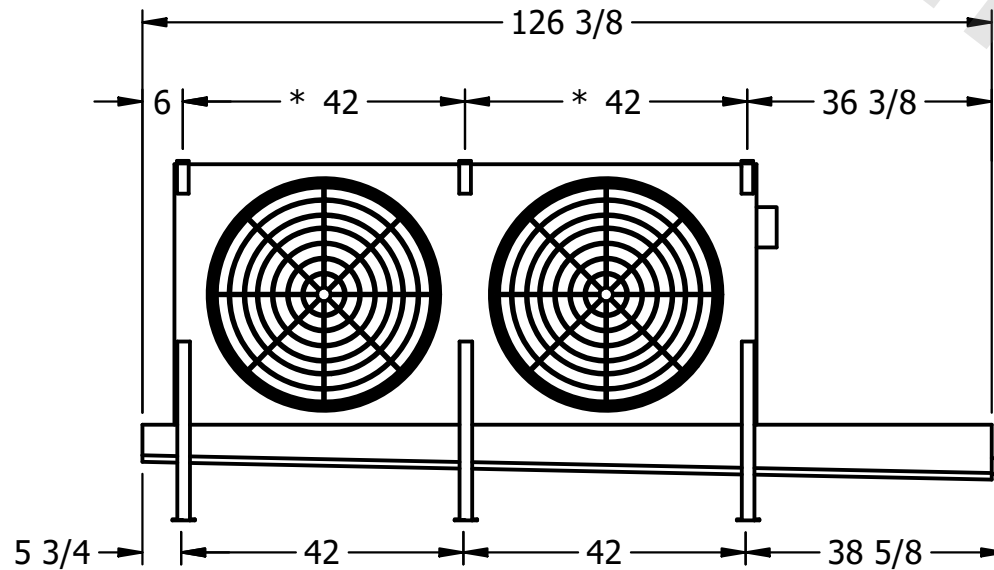
| | | | | | |
|----------|--------------------------------|--------------|------------------------|--------|----------------|
| CUSTOMER | MODEL # U-SSTME2-1964H0075F1JA | SCALE N.T.S. | DWG. # USSTM2-SE-16,18 | REV. 0 | DATE 6/22/2026 |
|----------|--------------------------------|--------------|------------------------|--------|----------------|



NOTES:

- 1) * = HANGER HOLE LOCATION.
- 2) RIGHT HAND MODEL SHOWN.
- 3) HANGER HOLES ARE FOR 3/4 INCH THREADED ROD.
- 4) ALL DIMENSIONS ARE FOR REFERENCE AND SHOULD NOT BE USED FOR PREFABRICATION OF PIPING OR SUPPORTS.

NEMA 4X
JUNCTION BOX



| | | | | | |
|---------|------|-----------------|---------------------|------------------|---------------------|
| PROJECT | ROOM | SHIPPING WEIGHT | 1190 lbs+ [540] kg+ | OPERATING WEIGHT | 1320 lbs+ [600] kg+ |
|---------|------|-----------------|---------------------|------------------|---------------------|