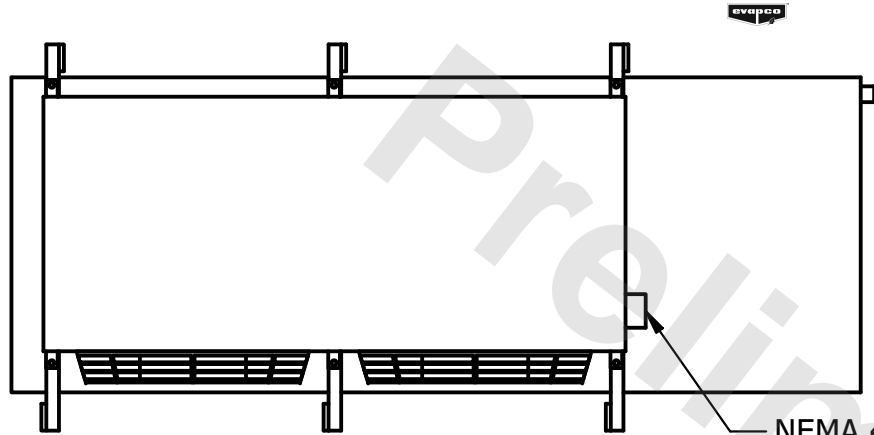


CONFIDENTIAL

This document is the property of Evapco, Inc. It should not be copied or disclosed without prior written authorization.

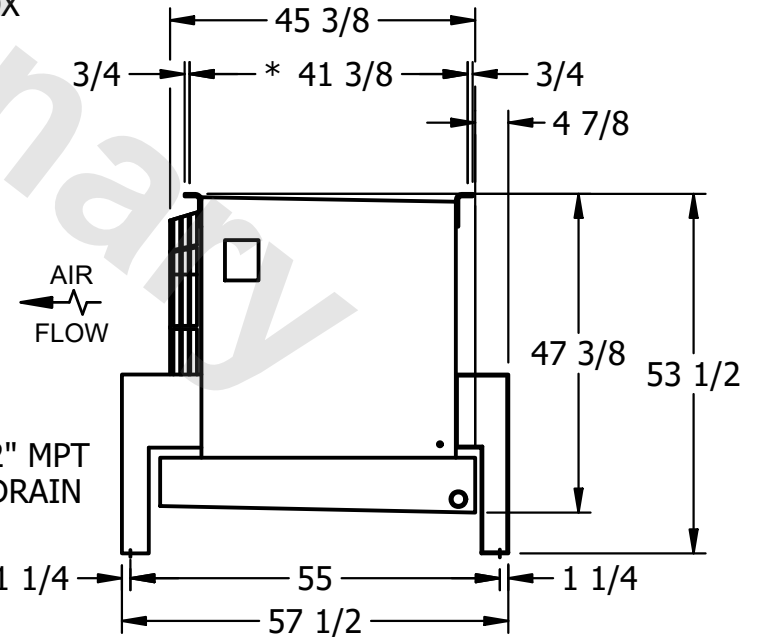
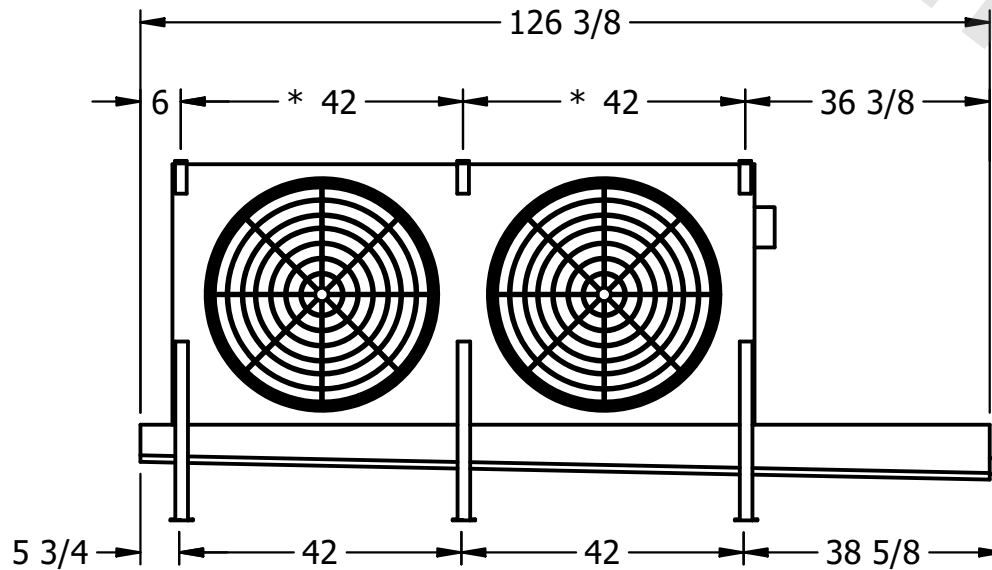
| | | | | | |
|----------|--------------------------------|--------------|------------------------|--------|-----------------|
| CUSTOMER | MODEL # U-SSTME2-1964H0075F3KA | SCALE N.T.S. | DWG. # USSTM2-SE-16,18 | REV. 0 | DATE 12/13/2025 |
|----------|--------------------------------|--------------|------------------------|--------|-----------------|



NEMA 4X JUNCTION BOX

NOTES:

- 1) * = HANGER HOLE LOCATION.
- 2) RIGHT HAND MODEL SHOWN.
- 3) HANGER HOLES ARE FOR 3/4 INCH THREADED ROD.
- 4) ALL DIMENSIONS ARE FOR REFERENCE AND SHOULD NOT BE USED FOR PREFABRICATION OF PIPING OR SUPPORTS.



2" MPT DRAIN

AIR FLOW

| | | | |
|---------|------|-------------------------------------|--------------------------------------|
| PROJECT | ROOM | SHIPPING WEIGHT 1110 lbs+ [505] kg+ | OPERATING WEIGHT 1250 lbs+ [570] kg+ |
|---------|------|-------------------------------------|--------------------------------------|