

CONFIDENTIAL

This document is the property of Evapco, Inc. It should not be copied or disclosed without prior written authorization.

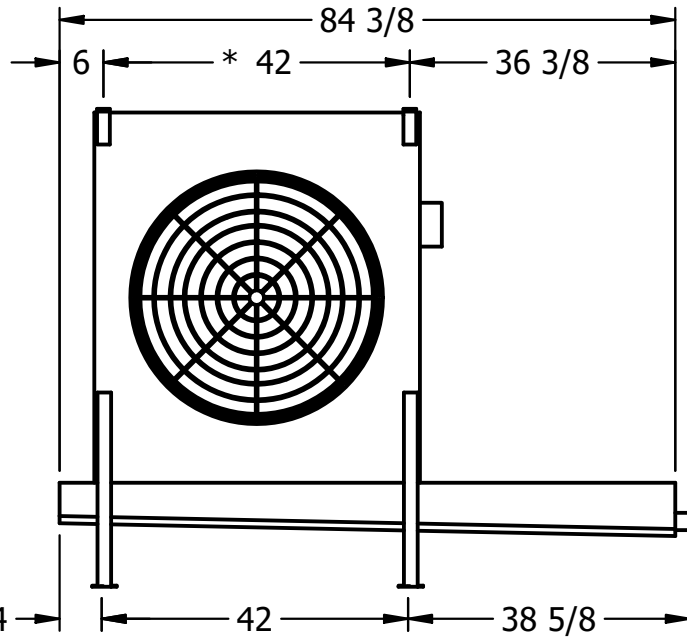
| | | | | | |
|----------|---------------------------------|--------------|---------------------|--------|---------------|
| CUSTOMER | MODEL # U-SSTME1-14103H0150F1LA | SCALE N.T.S. | DWG. # USSTM1-SE-24 | REV. 0 | DATE 4/7/2026 |
|----------|---------------------------------|--------------|---------------------|--------|---------------|



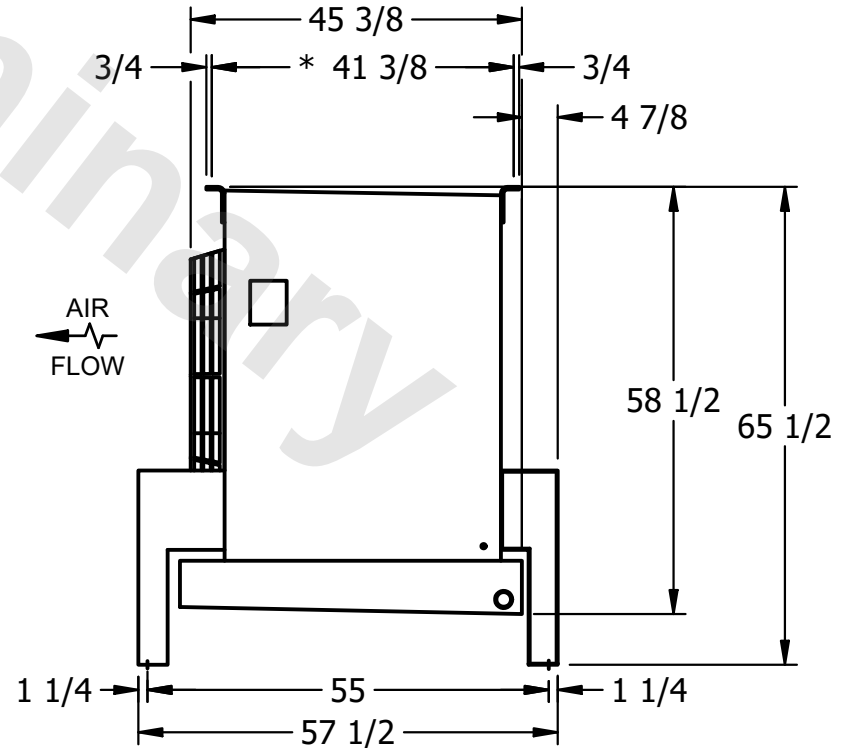
NEMA 4X
JUNCTION BOX

NOTES:

- 1) * = HANGER HOLE LOCATION.
- 2) RIGHT HAND MODEL SHOWN.
- 3) HANGER HOLES ARE FOR 3/4 INCH THREADED ROD.
- 4) ALL DIMENSIONS ARE FOR REFERENCE AND SHOULD NOT BE USED FOR PREFABRICATION OF PIPING OR SUPPORTS.



2" MPT
DRAIN



| | | | |
|---------|------|------------------------------------|--------------------------------------|
| PROJECT | ROOM | SHIPPING WEIGHT 910 lbs+ [415] kg+ | OPERATING WEIGHT 1050 lbs+ [480] kg+ |
|---------|------|------------------------------------|--------------------------------------|