

CONFIDENTIAL

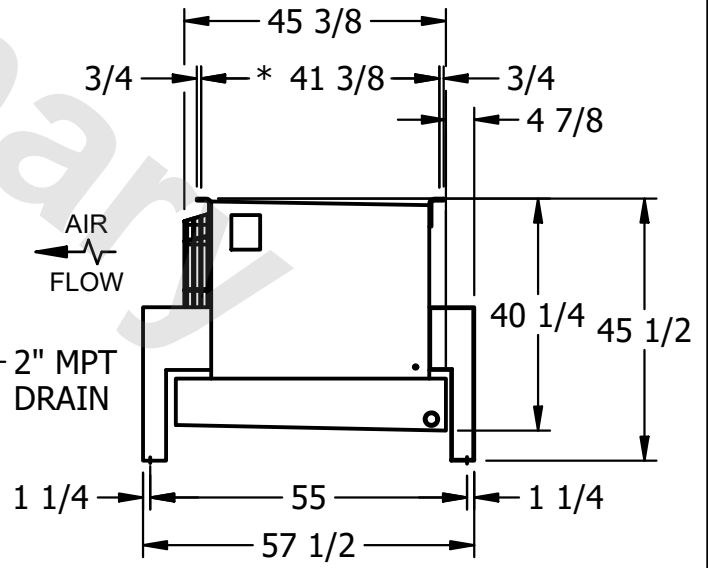
This document is the property of Evapco, Inc. It should not be copied or disclosed without prior written authorization.

| | | | | | |
|----------|---------------------------------|--------------|------------------------|--------|----------------|
| CUSTOMER | MODEL # U-SSTME3-21103H0050C1KA | SCALE N.T.S. | DWG. # USSTM3-SE-12,14 | REV. 0 | DATE 4/29/2026 |
|----------|---------------------------------|--------------|------------------------|--------|----------------|



NEMA 4X
JUNCTION BOX

- NOTES:**
- 1) * = HANGER HOLE LOCATION.
 - 2) RIGHT HAND MODEL SHOWN.
 - 3) HANGER HOLES ARE FOR 3/4 INCH THREADED ROD.
 - 4) ALL DIMENSIONS ARE FOR REFERENCE AND SHOULD NOT BE USED FOR PREFABRICATION OF PIPING OR SUPPORTS.



| | | | |
|---------|------|-------------------------------------|--------------------------------------|
| PROJECT | ROOM | SHIPPING WEIGHT 1580 lbs+ [720] kg+ | OPERATING WEIGHT 1790 lbs+ [815] kg+ |
|---------|------|-------------------------------------|--------------------------------------|