

CONFIDENTIAL

This document is the property of Evapco, Inc. It should not be copied or disclosed without prior written authorization.

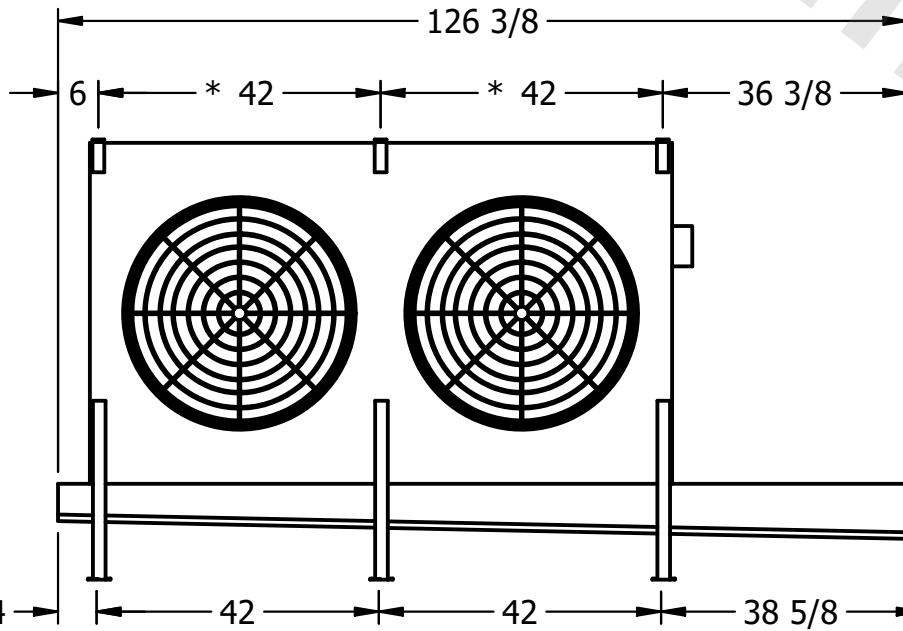
| | | | | | |
|----------|---------------------------------|--------------|---------------------|--------|----------------|
| CUSTOMER | MODEL # U-SSTME2-28103H0075F3KA | SCALE N.T.S. | DWG. # USSTM2-SE-24 | REV. 0 | DATE 2/28/2026 |
|----------|---------------------------------|--------------|---------------------|--------|----------------|



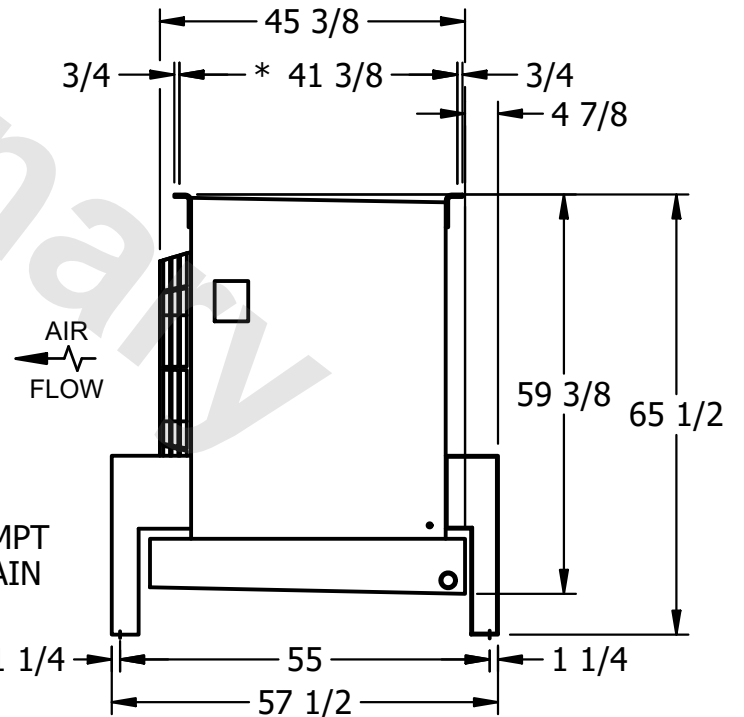
NOTES:

- 1) * = HANGER HOLE LOCATION.
- 2) RIGHT HAND MODEL SHOWN.
- 3) HANGER HOLES ARE FOR 3/4 INCH THREADED ROD.
- 4) ALL DIMENSIONS ARE FOR REFERENCE AND SHOULD NOT BE USED FOR PREFABRICATION OF PIPING OR SUPPORTS.

NEMA 4X
JUNCTION BOX



2" MPT
DRAIN



| | | | |
|---------|------|-------------------------------------|--------------------------------------|
| PROJECT | ROOM | SHIPPING WEIGHT 1640 lbs+ [745] kg+ | OPERATING WEIGHT 1920 lbs+ [875] kg+ |
|---------|------|-------------------------------------|--------------------------------------|