

|         |              |           |
|---------|--------------|-----------|
| UNIT    | CONDENSER    |           |
| MODEL # | eco-PMRC-405 | SCALE NTS |

# EVAPCO, INC.

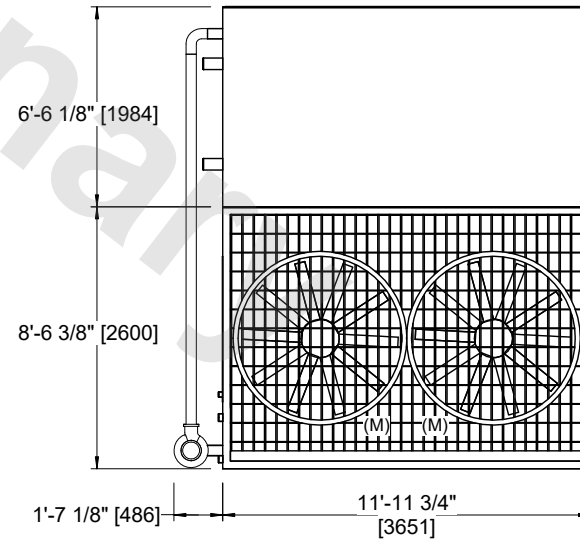
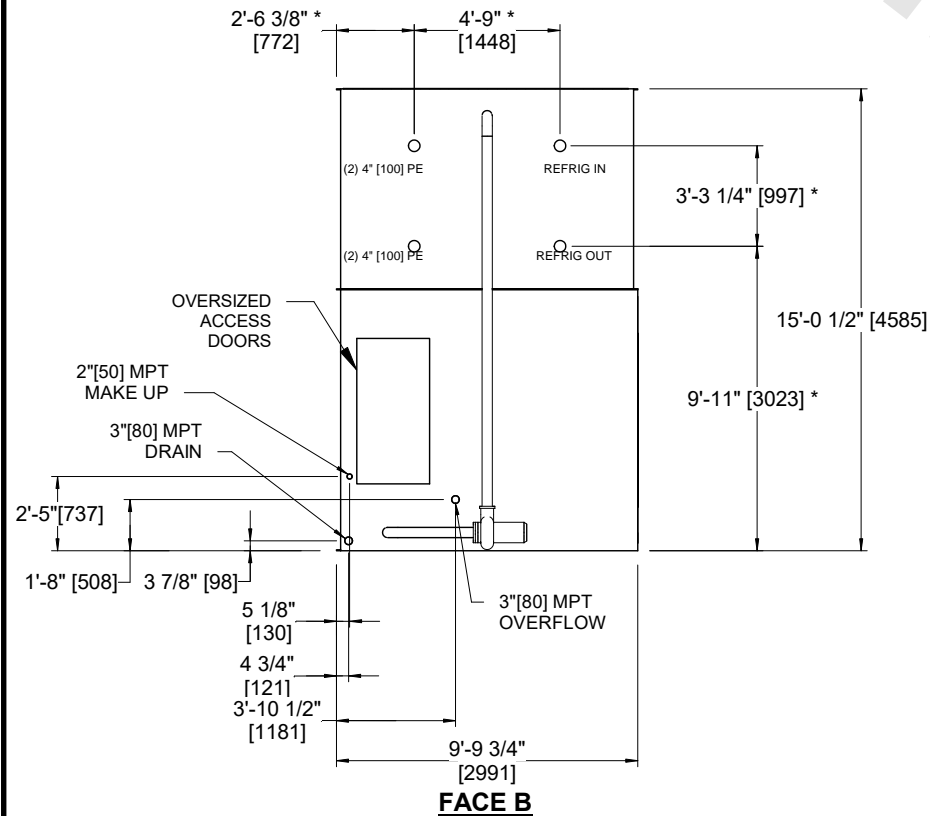
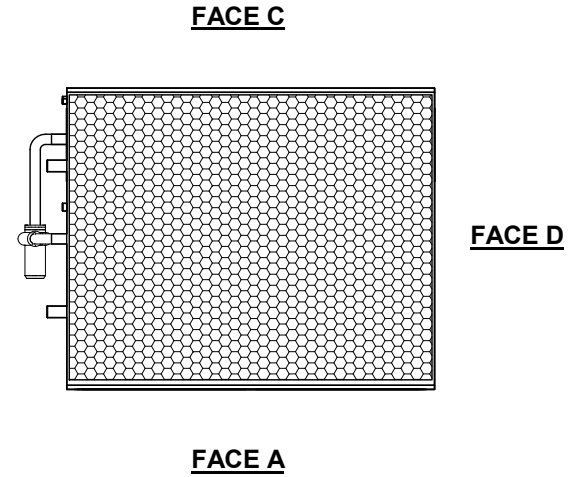


|          |                   |       |          |
|----------|-------------------|-------|----------|
| DWG. #   | CEWRTM1210-DRA-ST | REV   | -        |
| SERIAL # |                   | DATE: | 4/7/2026 |

**NOTES:**

- (M)- FAN MOTOR LOCATION.
- MPT DENOTES MALE PIPE THREAD  
FPT DENOTES FEMALE PIPE THREAD  
BFW DENOTES BEVELED FOR WELDING  
GVD DENOTES GROOVED  
FLG DENOTES FLANGE  
PE DENOTES PLAIN END
- +UNIT WEIGHT DOES NOT INCLUDE ACCESSORIES (SEE ACCESSORY DRAWINGS).
- 3/4" [19mm] DIA. MOUNTING HOLES. REFER TO RECOMMENDED STEEL SUPPORT DRAWING.
- MAKE-UP WATER PRESSURE 20 psi [137 kPa] MIN, 50 psi [344 kPa] MAX.
- DIMENSIONS LISTED AS FOLLOWS:  
ENGLISH FT-IN  
[METRIC] [mm]
- \* - APPROXIMATE DIMENSIONS DO NOT USE FOR PRE-FABRICATION OF CONNECTING PIPING.

**FACE B**  
**PLAN VIEW**



SHIPPING WEIGHT 21370 lbs+ [9695] kg+

OPERATING WEIGHT 25240 lbs+ [11450] kg+

HEAVIEST SECTION WEIGHT 16210 lbs+ [7355] kg+

NO. OF SHIPPING SECTIONS 2

DRAWN BY: JLG