

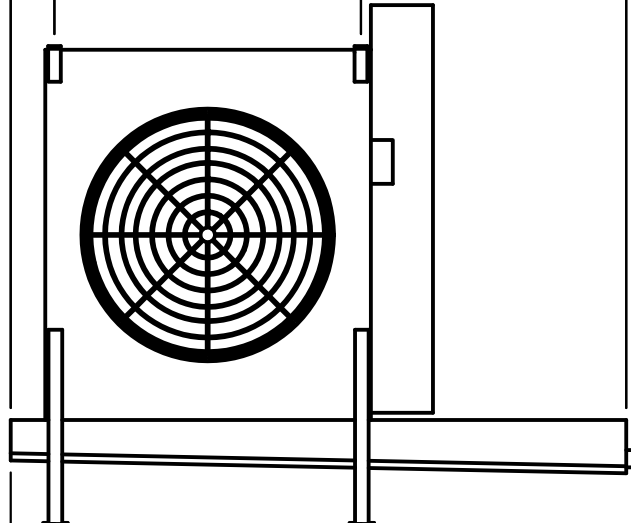
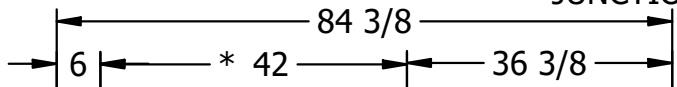
CONFIDENTIAL

This document is the property of Evapco, Inc. It should not be copied or disclosed without prior written authorization.

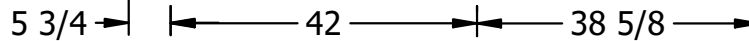
| | | | | | |
|----------|------------------------------------|-----------------|-------------------------|-----------|-------------------|
| CUSTOMER | MODEL # U-EJETME1-1446F0075F1LA | SCALE N.T.S. | DWG. # UEJETM1-SE-24 | REV. 0 | DATE 11/7/2025 |
|----------|------------------------------------|-----------------|-------------------------|-----------|-------------------|



NEMA 4X
JUNCTION BOX

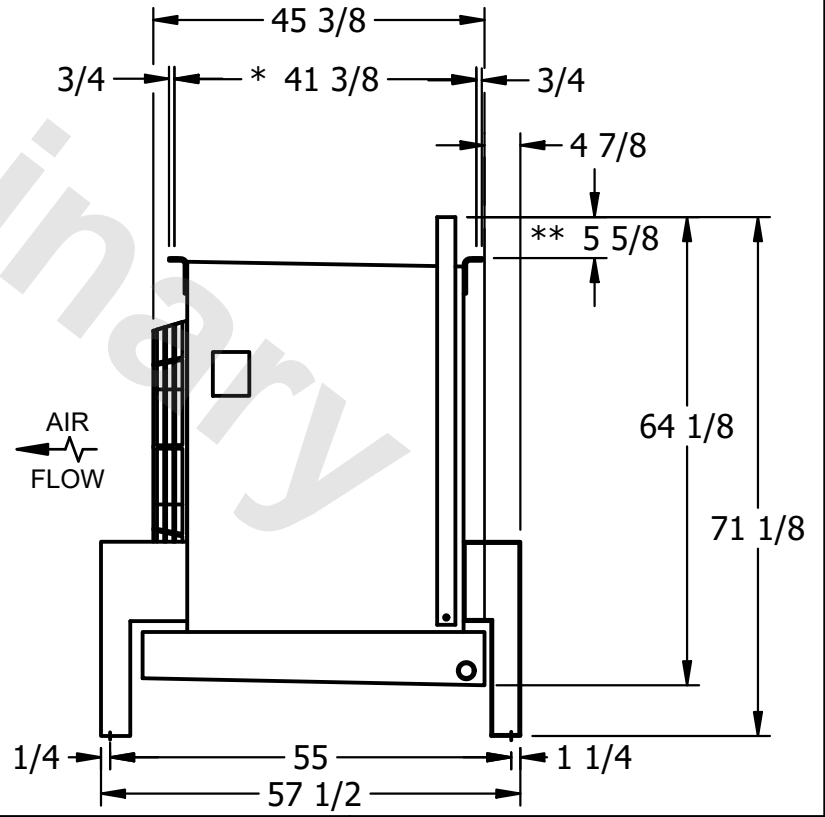


2" MPT
DRAIN



NOTES:

- 1) * = HANGER HOLE LOCATION.
- 2) ALL DIMENSIONS ARE FOR REFERENCE AND SHOULD NOT BE USED FOR PREFABRICATION OF PIPING OR SUPPORTS.
- 3) HANGER HOLES ARE FOR 3/4 INCH THREADED ROD.
- 4) WATER DEFROST ADDS 1 3/4" INCHES TO HEIGHT OF STANDARD UNIT AND CHANGES DRAIN SIZE.
- 5) ** = HEIGHT OF SUCTION HEADER AND INSTALLED THERMOWELL FITTING ABOVE CABINET. CUSTOMER IS RESPONSIBLE TO ACCOUNT FOR ADDITIONAL HEIGHT NECESSARY FOR RTD AND ACCESS.



AIR
FLOW

| | | | |
|---------|------|---------------------------------------|--|
| PROJECT | ROOM | SHIPPING WEIGHT 600 lbs+ [275] kg+ | OPERATING WEIGHT 680 lbs+ [310] kg+ |
|---------|------|---------------------------------------|--|