

CONFIDENTIAL

This document is the property of Evapco, Inc. It should not be copied or disclosed without prior written authorization.

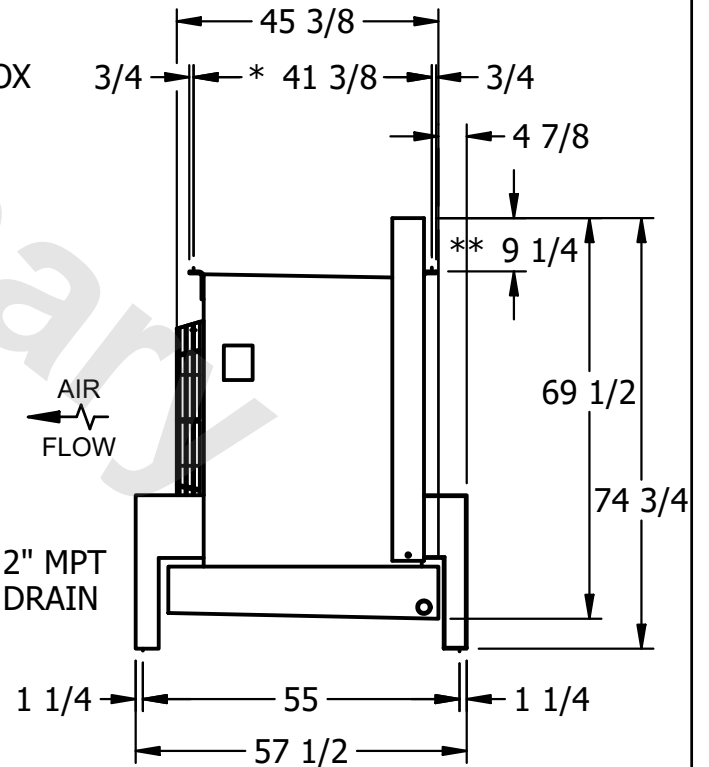
| | | | | | |
|----------|---------------------------------|--------------|----------------------|--------|---------------|
| CUSTOMER | MODEL # U-EJETME3-4246H0050F1JA | SCALE N.T.S. | DWG. # UEJETM3-SE-24 | REV. 0 | DATE 7/7/2026 |
|----------|---------------------------------|--------------|----------------------|--------|---------------|



NOTES:

- 1) * = HANGER HOLE LOCATION.
- 2) RIGHT HAND MODEL SHOWN.
- 3) HANGER HOLES ARE FOR 3/4 INCH THREADED ROD.
- 4) WATER DEFROST ADDS 1 3/4" INCHES TO HEIGHT OF STANDARD UNIT AND CHANGES DRAIN SIZE.
- 5) ALL DIMENSIONS ARE FOR REFERENCE AND SHOULD NOT BE USED FOR PREFABRICATION OF PIPING OR SUPPORTS.
- 6) **= HEIGHT OF SUCTION HEADER AND INSTALLED THERMOWELL FITTING ABOVE CABINET. CUSTOMER IS RESPONSIBLE TO ACCOUNT FOR ADDITIONAL HEIGHT NECESSARY FOR RTD AND ACCESS.

NEMA 4X
JUNCTION BOX



2" MPT
DRAIN

1 1/4 55 1 1/4
57 1/2

| | | | |
|---------|------|-------------------------------------|---------------------------------------|
| PROJECT | ROOM | SHIPPING WEIGHT 1980 lbs+ [900] kg+ | OPERATING WEIGHT 2240 lbs+ [1020] kg+ |
|---------|------|-------------------------------------|---------------------------------------|