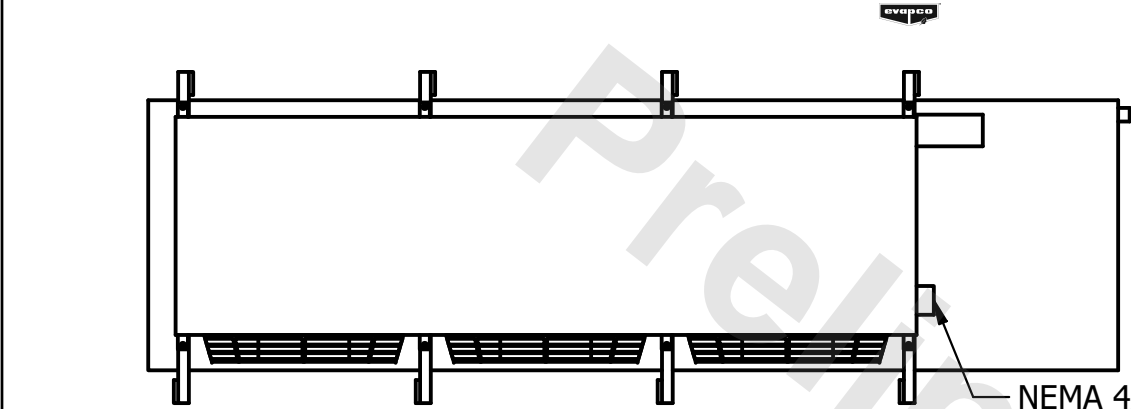


**CONFIDENTIAL**

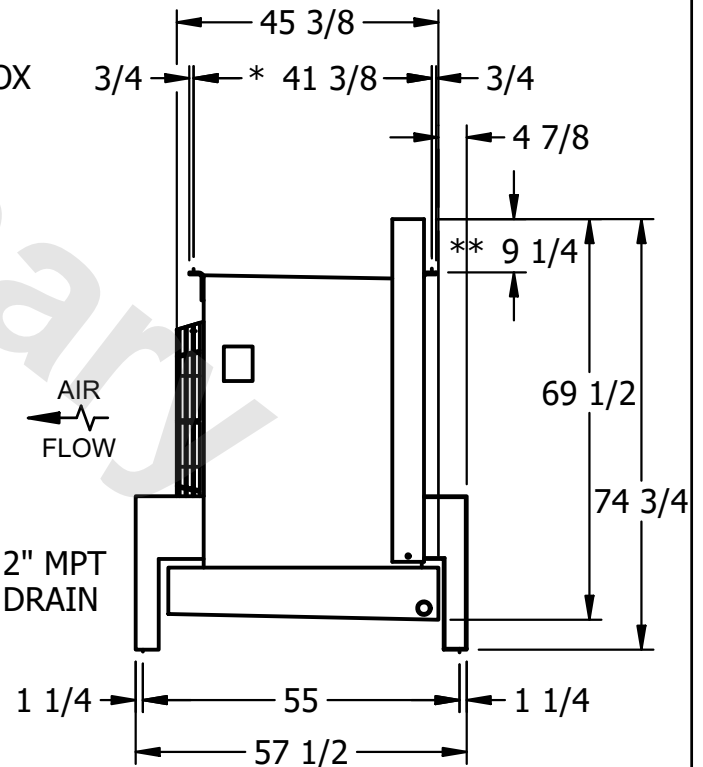
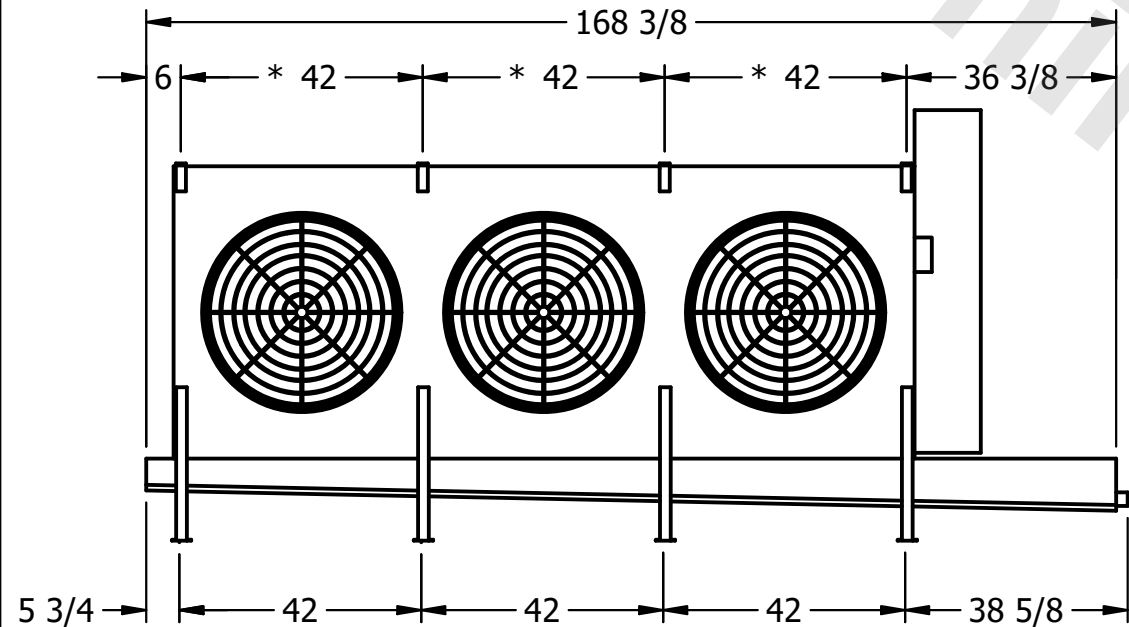
This document is the property of Evapco, Inc. It should not be copied or disclosed without prior written authorization.

|          |                                 |              |                      |        |                 |
|----------|---------------------------------|--------------|----------------------|--------|-----------------|
| CUSTOMER | MODEL # U-EJETME3-4266F0050F1JA | SCALE N.T.S. | DWG. # UEJETM3-SE-24 | REV. 0 | DATE 12/13/2025 |
|----------|---------------------------------|--------------|----------------------|--------|-----------------|



**NOTES:**

- 1) \* = HANGER HOLE LOCATION.
- 2) RIGHT HAND MODEL SHOWN.
- 3) HANGER HOLES ARE FOR 3/4 INCH THREADED ROD.
- 4) WATER DEFROST ADDS 1 3/4" INCHES TO HEIGHT OF STANDARD UNIT AND CHANGES DRAIN SIZE.
- 5) ALL DIMENSIONS ARE FOR REFERENCE AND SHOULD NOT BE USED FOR PREFABRICATION OF PIPING OR SUPPORTS.
- 6) \*\*= HEIGHT OF SUCTION HEADER AND INSTALLED THERMOWELL FITTING ABOVE CABINET. CUSTOMER IS RESPONSIBLE TO ACCOUNT FOR ADDITIONAL HEIGHT NECESSARY FOR RTD AND ACCESS.



|         |      |                                     |                                       |
|---------|------|-------------------------------------|---------------------------------------|
| PROJECT | ROOM | SHIPPING WEIGHT 1890 lbs+ [860] kg+ | OPERATING WEIGHT 2280 lbs+ [1035] kg+ |
|---------|------|-------------------------------------|---------------------------------------|